



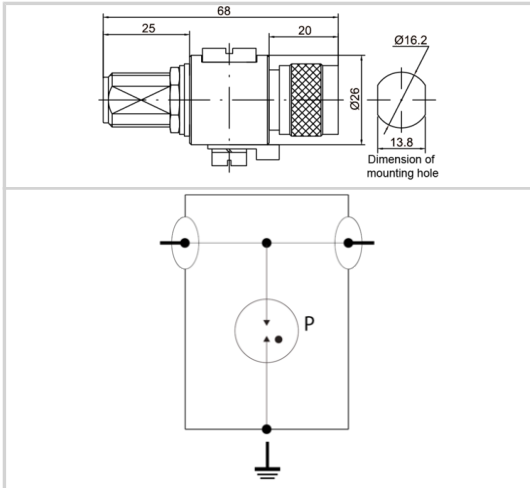
UL497E LISTED - I_{max} 20kA (10kA UL) - In 10kA

CITEL

P8AX09-N/MF



➤4GHz Bi-Directional Coaxial Surge Protector - High Energy GDT Technology - Low Insertion Loss - Field Replaceable GDT - Waterproof Design - DC Pass - UL497E Listed



Características eléctricas		
Tensión DC máx. de operación	Uc	72 Vdc
Gama de frecuencia	f	DC-4 GHz
Perdida de inserción		< 0.2 dB
Return loss		> 20 dB
Impedancia		50 ohms
VSWR - ROE		<1.2:1
Corriente máx. De línea @25°C	IL	10 A
Modo(s) de protección		Modo común
Corriente de choque <i>Prueba 10/350µs x 2 - categoría D1</i>	Iimp	1 kA
Corriente de descarga nominal <i>Prueba 8/20µs x 10 - categoría C2</i>	In	5 kA
Potencia máx.		25 W
DC Pass		Yes
Resistencia de aislamiento	IR	≥10 GOhms
RF Power	W	25.0000
Return Loss	db	>20
VSWR	:1	<1.25
Max Total Discharge Current	kA	10.0000
Max Discharge Current	kA	10.0000
RF SPD TYPE		UL497E LISTED
TENSION	(V)	48
AC/DC/DC PV/RF		RF
WIRES		1W+GROUND
LINE CURRENT MAX	(A)	10
POWER RATING	(W)	25
AMBIENT MIN	(C)	-40
AMBIENT MAX	(C)	+85
RESIDUAL VOLTAGE	(V)	700
IMAX	(kA)	20
FREQUENCY RANGE	(GHz)	0-4.0
INSERTION LOSS (@ FREQ)	(db)	<0.2
RETURN LOSS	(db)	>22
VSWR		<1.25:1
IMPEDANCE	Ω	50

Instalación		
Operating Temperature	°C	-45.0000
Operating Temperature	°C	85.0000
Operating Temperature	°F	-50.0000
Operating Temperature	°F	85.0000
Operating Relative Humidity	%RH	Can be submerged
Operating Altitude	Ft	2000.0000
Operating Altitude	Ft	6500.0000
Housing/Enclosure material		Cu, Zn, Sn plated Brass
Mounting		Bracket or through hole
IP Environmental rating		IP65
NEMA Environmental rating		NEMA 4
Installation Location		Indoor / outdoor
Spare part		BB HF 90/20
Accesorio		BK
Product Dimension	mm	68.0000
Product Dimension	mm	26.0000
Product Dimension	mm	13.8000
Product Dimension	In	2.6800
Product Dimension	In	1.0200



CITEL

UL497E LISTED - I_{max} 20kA (10kA UL) - I_n 10kA

P8AX09-N/MF

Product Dimension	In	0.5400
Miscelánea		
Individual Pack		No
Storage Temperature	°C	-40.0000
Storage Temperature	°C	85.0000
Storage Temperature	°F	-40.0000
Storage Temperature	°F	85.0000
Características mecánicas		
Tecnología		Descargador de gas
Conexión a la red		Conector N Macho/Hembra
Modo de fallo		Corto-circuito
Contact		Bronce/Superficie Au-Ag
aislamiento		PTFE
Peso		0.146 kg
TECNOLOGIA		GDT
FORMA DE CONEXION		SERIES CONNECTOR, BI-DIRECTIONAL
CONNECTOR TYPE		N
GENDER		MALE TO FEMALE
MONTAJE		BULKHEAD, OPTIONAL BRACKET
MATERIAL		Cu, Zn, Sn plated Brass, PTFE
NEMA RATING (IP RATING)		NEMA 6P (IP67)
DIMENSIONS		See diagram
WEIGHT		0.30 lbs
SPARE PART		BA HF 90/20
Normas		
Conformidad RoHs		Si
UL STANDARD		UL497E
UL CATEGORY		QVLA
UL FILE NUMBER		E349646
NORMAS		NOM-003-SCFI-2014, NOM-001-SCFI-1993
ENVIRONMENTAL STANDARDS		ROHS
Código		
60001		

