

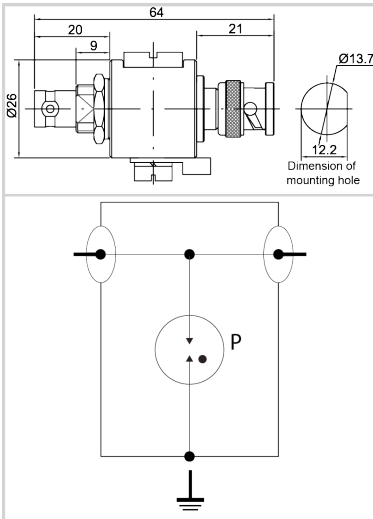


# P8AX25-B/MF

# CITEL



►4GHz Bi-Directional Coaxial Surge Protector - High Energy GDT Technology - Low Insertion Loss - Field Replaceable GDT - Waterproof Design - DC Pass - UL497E Listed



Electrical Characteristics		
Max. DC operating voltage	Uc	200 Vdc
Frequency range	f	DC-3.5 GHz
Insertion loss		< 0.2 dB
Return loss		> 20 dB
Impedance		50 ohms
VSWR		<1.2:1
Max. load current @25°C	IL	10 A
Max. discharge current max. withstand @ 8/20 µs by pole	Imax	20 kA
Nominal discharge current C2 Category	In	5 kA
Protection mode(s)		Common mode
Protection level @1kV/µs (C3)	Up	< 800 V
Impulse current 2 x 10/350µs Test - D1 Category	Iimp	1 kA
Max Power		190 W
Typical let through energy (50 ohms) input 4kV 1.2/50µs - 2kA 8/20µs		350 µJ
DC Pass		Yes
Insulation resistance	IR	≥10 GOhms
RF Power Maximum	W	190.0000
Return Loss Minimum	db	20
VSWR Maximum	:1	<1.2:1
Max Total Discharge Current Imax (8/20µs x 1)	kA	20.0000
Max Discharge Current Imax (8/20µs x 1)	kA	20.0000
RF SPD TYPE		UL497E LISTED
VOLTS	(V)	48
AC/DC/DC PV/RF		RF
WIRES		1W+GROUND
LINE CURRENT MAX	(A)	10
AMBIENT MIN	(C)	-40
AMBIENT MAX	(C)	+85
IMAX 8/20µs	(kA)	20
FREQUENCY RANGE	(GHz)	0-4.0
INSERTION LOSS (@ FREQ)	(db)	<0.2
RETURN LOSS	(db)	22
VSWR		<1.25:1
Installation		
Operating TemperatureMin	°C	-45.0000
Operating TemperatureMax	°C	85.0000
Operating TemperatureMin	°F	-50.0000
Operating TemperatureMax	°F	85.0000
Operating Relative HumidityMax	%RH	Can be submerged



# CITEL

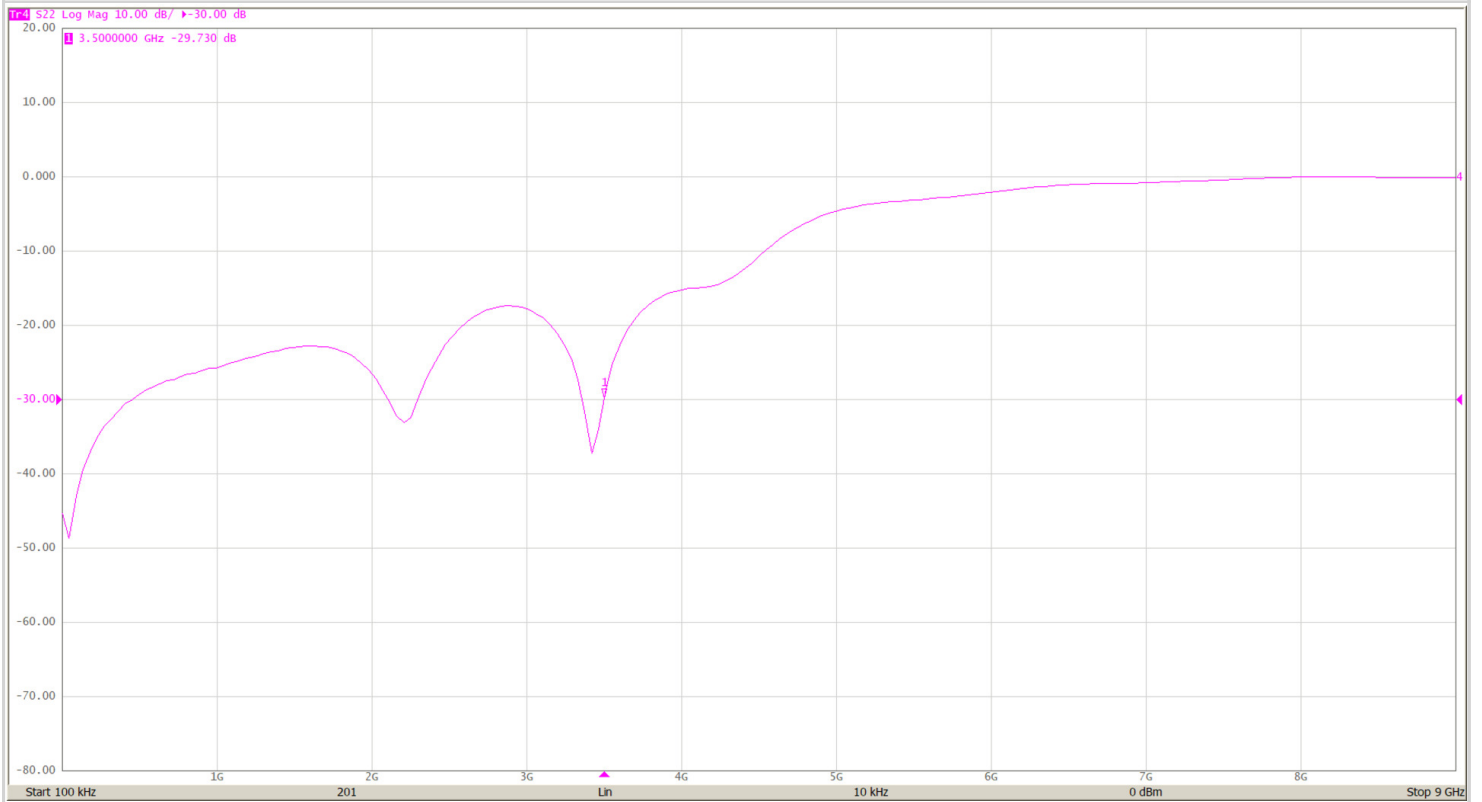
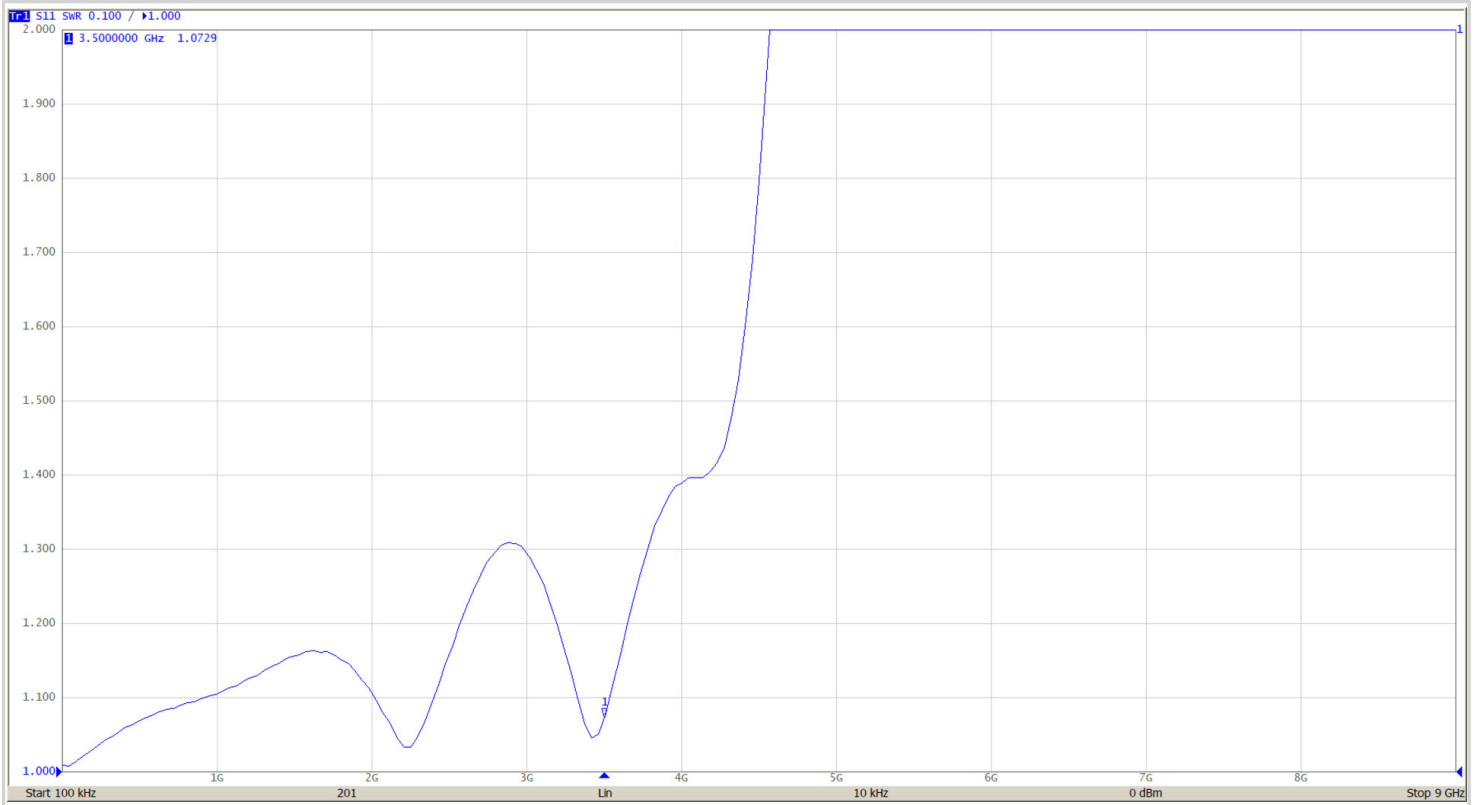
## P8AX25-B/MF

Operating Altitude $Min$	Ft	2000.0000
Operating Altitude $Max$	Ft	6500.0000
Housing/Enclosure material		Cu, Zn, Sn plated Brass
Mounting		Bracket or Bulkhead through-hole
IP Environmental rating/IP		IP65
NEMA Environmental rating/NEMA		NEMA 4
Installation Location		Indoor / outdoor
Spare part		BB HF 250/20
Accessories		BK series mounting bracket
Product Dimension $L$	mm	64.0000
Product Dimension $H$	mm	26.0000
Product Dimension $W$	mm	12.2000
Product Dimension $L$	In	2.5200
Product Dimension $H$	In	1.0200
Product Dimension $W$	In	0.4800
<b>Miscellaneous</b>		
Individual Pack		No
Storage Temperature $Min$	°C	-40.0000
Storage Temperature $Max$	°C	85.0000
Storage Temperature $Min$	°F	-40.0000
Storage Temperature $Max$	°F	85.0000
<b>Mechanical Characteristics</b>		
Technology		Gas discharge tube
Connection to Network		Connector BNC Male/Female
Mounting		Bulkhead or Bracket
Operating temperature	Tu	-40/+85°C
Protection rating		IP65
Failsafe mode		Short-circuit
Contacts		Bronze/Surface Au-Ag
Insulation material		PTFE
TECHNOLOGY		GDT
CONNECTION METHOD		SERIES CONNECTOR, BI-DIRECTIONAL
MOUNTING		BULKHEAD, OPTIONAL BRACKET
MATERIAL		Housing-Cu, Zn, Sn plated Brass
NEMA RATING (IP RATING)		NEMA 6P (IP67)
DIMENSIONS		See diagram
WEIGHT		0.30 lbs
<b>Standards</b>		
Environmental standards		EU RoHS
RohS compliance		Yes
UL STANDARD		UL497E
UL CATEGORY		QVLA
UL FILE NUMBER		E349646
STANDARDS		NOM-003-SCFI-2014, NOM-001-SCFI-1993
<b>Part number</b>		
<b>60104</b>		



# P8AX25-B/MF

# CITEL





P8AX25-B/MF

# CITEL

