

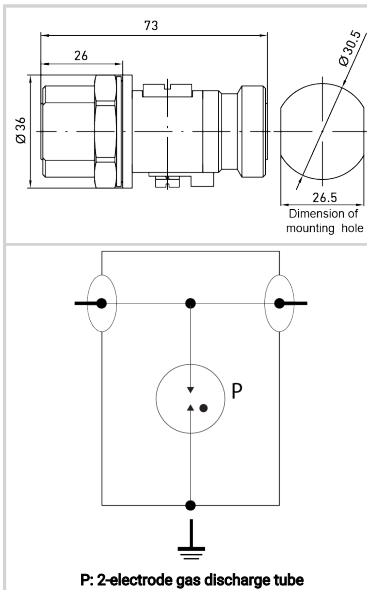


# P8AX50-716/FF

# CITEL



►6GHz Bi-Directional Coaxial Surge Protector - No follow current - Low Insertion Loss - Waterproof Design - DC Pass



Electrical Characteristics			
Max. DC operating voltage	Uc	400 Vdc	
Frequency range	f	DC-3.5 GHz	
Insertion loss		< 0.2 dB	
Return loss		> 20 dB	
Impedance		50 ohms	
VSWR		<1.2:1	
Max. load current @25°C	IL	10 A	
Max. discharge current <i>max. withstand @ 8/20 μs by pole</i>	Imax	20 kA	
Nominal discharge current <i>C2 Category</i>	In	5 kA	
Protection mode(s)		Common mode	
Protection level <i>@1kV/μs (C3)</i>	Up	< 1200 V	
Impulse current <i>2 x 10/350μs Test - D1 Category</i>	Iimp	1 kA	
Max Power		780 W	
Typical let through energy <i>(50 ohms) input 4kV 1.2/50μs - 2kA 8/20μs</i>		1100 μJ	
DC Pass		Yes	
Insulation resistance	IR	≥10 GOhms	
RF Power <i>Maximum</i>	W	780.0000	
Return Loss <i>Minimum</i>	db	20	
VSWR <i>Maximum</i>	:1	<1.2:1	
Max Total Discharge Current <i>Imax (8/20μs x 1)</i>	kA	20.0000	
Max Discharge Current <i>Imax (8/20μs x 1)</i>	kA	20.0000	
RF SPD TYPE		UL497E LISTED	
VOLTS	(V)	48	
AC/DC/DC PV/RF		RF	
WIRES		1W+GROUND	
LINE CURRENT MAX	(A)	10	
AMBIENT MIN	(C)	-40	
AMBIENT MAX	(C)	+85	
IMAX <i>8/20μs</i>	(kA)	20	
FREQUENCY RANGE	(GHz)	0-4.0	
INSERTION LOSS (@ FREQ)	(db)	<0.2	
RETURN LOSS	(db)	22	
VSWR		<1.25:1	
Installation			



# CITEL

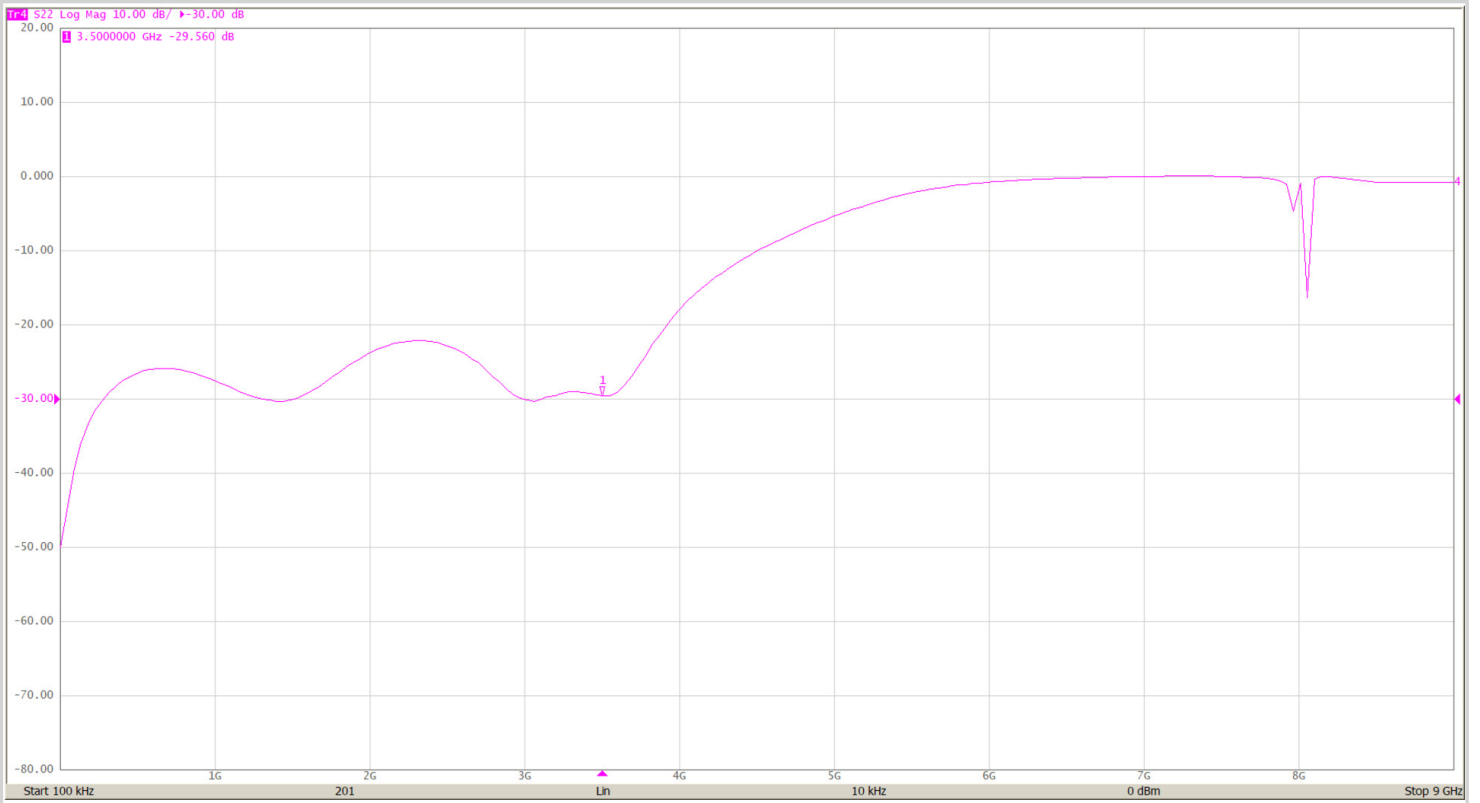
## P8AX50-716/FF

Operating Temperature <sup>Min</sup>	°C	-45.0000
Operating Temperature <sup>Max</sup>	°C	85.0000
Operating Temperature <sup>Min</sup>	°F	-50.0000
Operating Temperature <sup>Max</sup>	°F	85.0000
Operating Relative Humidity <sup>Max</sup>	%RH	Can be submerged
Operating Altitude <sup>Min</sup>	Ft	2000.0000
Operating Altitude <sup>Max</sup>	Ft	6500.0000
Housing/Enclosure material		Cu, Zn, Sn plated Brass
Mounting		Bracket or Bulkhead through-hole
IP Environmental rating <sup>IP</sup>		IP65
NEMA Environmental rating <sup>NEMA</sup>		NEMA 4
Installation Location		Indoor / outdoor
Spare part		BB HF 500/20
Accessories		BK series mounting bracket
Product Dimension <sup>L</sup>	mm	73.0000
Product Dimension <sup>H</sup>	mm	36.0000
Product Dimension <sup>W</sup>	mm	26.5000
Product Dimension <sup>L</sup>	In	2.8700
Product Dimension <sup>H</sup>	In	1.4200
Product Dimension <sup>W</sup>	In	1.0400
<b>Miscellaneous</b>		
Individual Pack		No
Storage Temperature <sup>Min</sup>	°C	-40.0000
Storage Temperature <sup>Max</sup>	°C	85.0000
Storage Temperature <sup>Min</sup>	°F	-40.0000
Storage Temperature <sup>Max</sup>	°F	85.0000
<b>Mechanical Characteristics</b>		
Technology		Gas discharge tube
Connection to Network		Connector 7/16 Female/Female
Mounting		Bulkhead or Bracket
Operating temperature	Tu	-40/+85°C
Protection rating		IP65
Failsafe mode		Short-circuit
Contacts		Bronze/Surface Au-Ag
Insulation material		PTFE
TECHNOLOGY		GDT
CONNECTION METHOD		SERIES CONNECTOR, BI-DIRECTIONAL
MOUNTING		BULKHEAD, OPTIONAL BRACKET
MATERIAL		Housing-Cu, Zn, Sn plated Brass
NEMA RATING (IP RATING)		NEMA 6P (IP67)
DIMENSIONS		See diagram
WEIGHT		0.30 lbs
<b>Standards</b>		
Environmental standards		EU RoHS
RohS compliance		Yes
UL STANDARD		UL497E
UL CATEGORY		QVLA
UL FILE NUMBER		E349646
STANDARDS		NOM-003-SCFI-2014, NOM-001-SCFI-1993
<b>Part number</b>		
<b>60417</b>		



# P8AX50-716/FF

# CITEL





P8AX50-716/FF

# CITEL

