



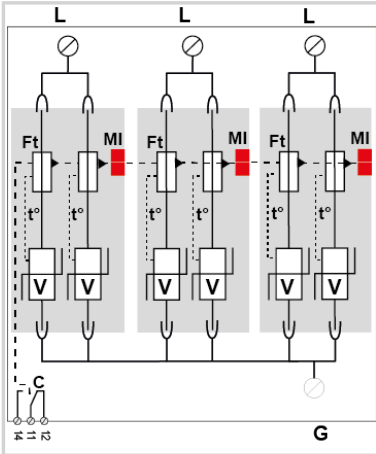
# CITEL

## UL TYPE 1 SPD - I<sub>max</sub> 75kA - I<sub>n</sub> 20/30kA - Modular Assembly

### DS73US-120Y/NN



- Multi-MOV Technology
- UL1449 Type 1 LISTED
- IEC Type 1+2
- 75kA Surge Current Rating per module
- Visual fault indicator and remote contacts
- Replaceable Modules
- 10-Year warranty



Características eléctricas		
POWER SPD TYPE		UL1449 TYPE 1 LISTED
TENSION	(V)	208/120
AC/DC/DC PV/RF		AC
FASE	(PH)	3Y
AMPS	(A)	N/A
AMBIENT MIN	(C)	-40
AMBIENT MAX	(C)	+85
MODOS		L-L, L-G
VPR	(V)	1200/-/700/-
MCOV	(V)	300/-/150/-
IN	(kA)	20
I <sub>cc</sub> <i>cortocircuito</i>	(kA)	200
IMAX	(kA)	75
RELATIVE HUMIDITY	(%)	95%
Características mecánicas		
TECNOLOGIA		Multi-MOV
CONFIGURACION DE RED		3PH, 3W+G, No Neutral
FORMA DE CONEXION		Screw Terminal, 13-2AWG Solid Wire, 13-4AWG Stranded Wire
MONTAJE		Din Rail
MATERIAL		Thermoplastic UL94-V0
NEMA RATING (IP RATING)		NEMA 2 (IP20)
DESCONEXION SEGURA		Yes, no upstream over current protection required
REAL-TIME DIAGNOSTICS		Visual indicator and remote contacts
DIMENSIONS		See diagram
WEIGHT		0.83 lbs
Normas		
Certificación		UL Listed / TUV
Normas ambientales		EU RoHS
UL STANDARD		UL1449 5th Edition
UL CATEGORY		VZCA, VZCA7
UL FILE NUMBER		E326289
NORMAS		NOM-003-SCFI-2014, NOM-001-SCFI-1993
<b>Código</b>		
<b>32275355</b>		

