



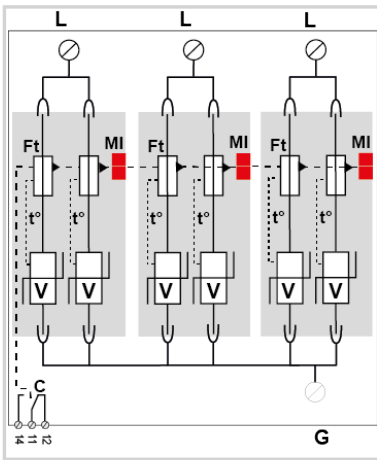
CITEL

UL TYPE 1 SPD - I_{max} 75kA - I_n 20/30kA - Modular Assembly

DS73US-277Y/NN



- Multi-MOV Technology
- UL1449 Type 1 LISTED
- IEC Type 1+2
- 75kA Surge Current Rating per module
- Visual fault indicator and remote contacts
- Replaceable Modules
- 10-Year warranty



Electrical Characteristics		
POWER SPD TYPE		UL1449 TYPE 1 LISTED
VOLTS	(V)	480/277
AC/DC/DC PV/RF		AC
PHASE	(PH)	3Y
AMPS	(A)	N/A
AMBIENT MIN	(C)	-40
AMBIENT MAX	(C)	+85
MODES		L-L, L-G
VPR	(V)	2500/-/1500/-
MCOV	(V)	840/-/420/-
IN	(kA)	20
<i>15 impulses 8/20µs</i>		
SCCR	(kA)	200
IMAX	(kA)	75
<i>8/20µs</i>		
RELATIVE HUMIDITY	(%)	95%
Mechanical Characteristics		
TECHNOLOGY		Multi-MOV
NETWORK CONFIGURATION		3PH, 3W+G, No Neutral
CONNECTION METHOD		Screw Terminal, 13-2AWG Solid Wire, 13-4AWG Stranded Wire
MOUNTING		Din Rail
MATERIAL		Thermoplastic UL94-V0
NEMA RATING (IP RATING)		NEMA 2 (IP20)
FAIL-SAFE BEHAVIOR		Yes, no upstream over current protection required
REAL-TIME DIAGNOSTICS		Visual indicator and remote contacts
DIMENSIONS		See diagram
WEIGHT		0.97 lbs
Standards		
Environmental standards		EU RoHS
UL STANDARD		UL1449 5th Edition
UL CATEGORY		VZCA, VZCA7
UL FILE NUMBER		E326289
STANDARDS		NOM-003-SCFI-2014, NOM-001-SCFI-1993
Part number		
32145355		

