



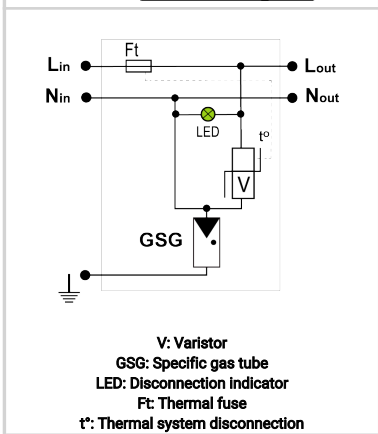
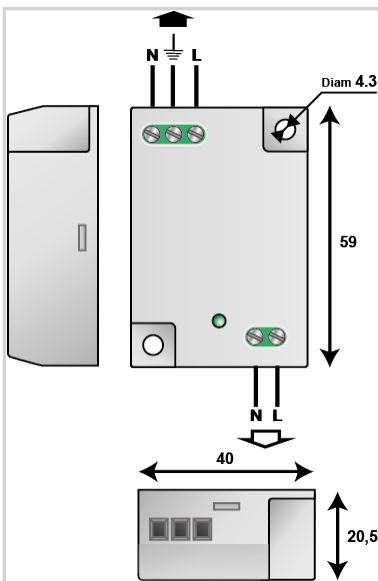
CITEL

UL TYPE 4CA - I_{max} 22kA - I_n 10kA

MLPC1-277L-V



- UL1449 Type 2 SPD
- 120 VAC to 277 VAC
- Plate Mounting
- Screw Terminal Connection
- Series or Parallel Installation
- Status indicator
- Disconnection AC end of life
- EN 61643-11 compliance
- Total Surge Rating – I_{total}: 20kA
- ANSI C136.2



Electrical Characteristics

Nominal line voltage	Un	100 V-277 V
Max. discharge current <i>max. withstand @ 8/20 μs by pole</i>	I _{max}	10 kA
POWER SPD TYPE		UL1449 TYPE 2 LISTED
VOLTS	(V)	277
AC/DC/DC PV/RF		AC
PHASE	(PH)	1
AMPS	(A)	5
AMBIENT MIN	(C)	-40
AMBIENT MAX	(C)	+85
MODES		L-L, L-G, L-N, N-G
VPR	(V)	1500/1500/1200
MCOV	(V)	385/385/255
IN <i>15 impulses 8/20 μs</i>	(kA)	5
SCCR	(kA)	18
IMAX <i>8/20 μs</i>	(kA)	10

Mechanical Characteristics

TECHNOLOGY		MOV-GSG
NETWORK CONFIGURATION		2 pole, 2W+G, Single/Spilt Phase
CONNECTION METHOD		Screw Terminal (4-10AWG)
MOUNTING		FLANGE MOUNT
MATERIAL		Thermoplastic UL94-V0
NEMA RATING (IP RATING)		NEMA 2 (IP20)
FAIL-SAFE BEHAVIOR		Disconnection via fuse-link
REAL-TIME DIAGNOSTICS		LED Indicator
DIMENSIONS		See diagram
WEIGHT		0.30 lbs

Standards

Certification		UL Listed / IEC / IMQ
UL STANDARD		UL1449 5th Edition
UL CATEGORY		VZCA2, VZCA8
STANDARDS		IEC 61643-11, NOM-003-SCFI-2014, NOM-001-SCFI-1993
ANSI/IEEE C62.41		Category C 20kV/10kA
ANSI/IEEE C136.2		Enhanced Category 10kV/5kA
ENVIRONMENTAL STANDARDS		ROHS

Part number

831321

