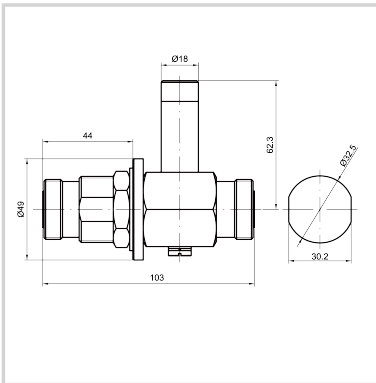




# CITEL

## PRC822S-716W/FF



### Electrical Characteristics

Frequency range	f	800-2200 MHz
Insertion loss		< 0.2 dB
Return loss		> 20 dB
Impedance		50 ohms
VSWR		<1.2:1
Max. load current @25°C	IL	10 A
Max. discharge current <i>max. withstand @ 8/20 µs by pole</i>	Imax	100 kA
Nominal discharge current <i>C2 Category</i>	In	50 kA
Protection mode(s)		Common mode
Impulse current <i>2 x 10/350µs Test - D1 Category</i>	limp	50 kA
Max Power @f mini.		2959 W
PIM 3rd order (2x20W)		< -160 dBc
DC Pass		No

### Mechanical Characteristics

Technology		Quarter Wave
Connection to Network		Connector 7/16 Female/Female
Mounting		Feedthrough
Operating temperature	Tu	-40/+85°C
Protection rating		IP65
Failsafe mode		Without
Contacts		Bronze/Surface Au-Ag
Insulation material		PTFE

### Standards

RohS compliance		Yes
-----------------	--	-----

### Part number

**621105**

