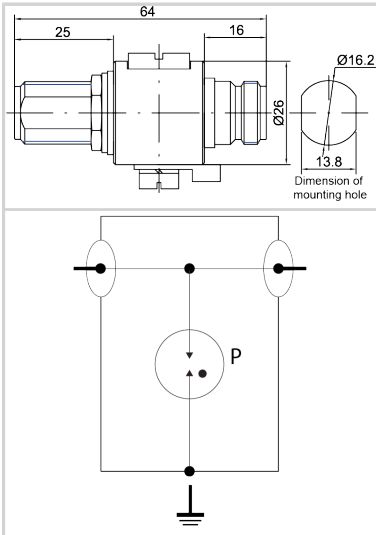




CITEL



P8AX15-N/FF



Electrical Characteristics		
Max. DC operating voltage	Uc	120 Vdc
Frequency range	f	DC-3.5 GHz
Insertion loss		< 0.2 dB
Return loss		> 20 dB
Impedance		50 ohms
VSWR		<1.2:1
Max. load current @25°C	IL	10 A
Max. discharge current <i>max. withstand @ 8/20 µs by pole</i>	I _{max}	20 kA
Nominal discharge current <i>C2 Category</i>	I _n	5 kA
Protection mode(s)		Common mode
Impulse current <i>2 x 10/350µs Test - D1 Category</i>	I _{imp}	1 kA
Max Power		70 W
DC Pass		Yes
Insulation resistance	IR	≥10 GOhms
RF SPD TYPE		UL497E LISTED
VOLTS	(V)	48
AC/DC/DC PV/RF		RF
WIRES		1W+GROUND
LINE CURRENT MAX	(A)	10
AMBIENT MIN	(C)	-40
AMBIENT MAX	(C)	+85
IMAX <i>8/20µs</i>	(kA)	20
FREQUENCY RANGE	(GHz)	0-4.0
INSERTION LOSS (@ FREQ)	(db)	<0.2
RETURN LOSS	(db)	22
VSWR		<1.25:1
Mechanical Characteristics		
Technology		Gas discharge tube
Connection to Network		Connector N Female/Female
Operating temperature	Tu	-40/+85°C
Protection rating		IP65
Failsafe mode		Short-circuit
Contacts		Bronze/Surface Au-Ag
Insulation material		PTFE
TECHNOLOGY		GDT
CONNECTION METHOD		SERIES CONNECTOR, BI-DIRECTIONAL
MOUNTING		BULKHEAD, OPTIONAL BRACKET
MATERIAL		Cu, Zn, Sn plated Brass, PTFE
NEMA RATING (IP RATING)		NEMA 6P (IP67)
DIMENSIONS		See diagram
WEIGHT		0.30 lbs
Standards		
RohS compliance		Yes



CITEL

P8AX15-N/FF

UL STANDARD	UL497E
UL CATEGORY	QVLA
UL FILE NUMBER	E349646
STANDARDS	NOM-003-SCFI-2014, NOM-001-SCFI-1993
ENVIRONMENTAL STANDARDS	ROHS
Part number	
60012	

