

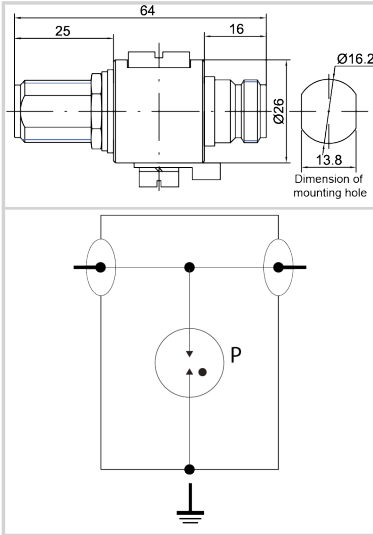


# P8AX09-N/FF

# CITEL



►4GHz Bi-Directional Coaxial Surge Protector - High Energy GDT Technology - Low Insertion Loss - Field Replaceable GDT - Waterproof Design - DC Pass - UL497E Listed



Electrical Characteristics			
Max. DC operating voltage	Uc	72 Vdc	
Frequency range	f	DC-3.5 GHz	
Impedance		50 ohms	
Nominal discharge current <i>C2 Category</i>	In	5 kA	
Impulse current <i>2 x 10/350µs Test - D1 Category</i>	Iimp	1 kA	
Max Power		25 W	
DC Pass		Yes	
Insulation resistance	IR	≥10 GOhms	
RF SPD TYPE		UL497E LISTED	
VOLTS	(V)	48	
AC/DC/DC PV/RF		RF	
LINE CURRENT MAX	(A)	10	
AMBIENT MIN	(C)	-50	
AMBIENT MAX	(C)	+85	
IMAX <i>8/20µs</i>	(kA)	20	
FREQUENCY RANGE	(GHz)	0-4.0	
INSERTION LOSS (@ FREQ)	(db)	<0.2	
RETURN LOSS	(db)	⇒20	
VSWR		<1.20:1	
Mechanical Characteristics			
Technology		Gas discharge tube	
Connection to Network		Connector N Female/Female	
Failsafe mode		Short-circuit	
Contacts		Bronze/Surface Au-Ag	
Insulation material		PTFE	
TECHNOLOGY		GDT	
CONNECTION METHOD		Series N-Type Connector-Female-Female	
MOUNTING		BULKHEAD, OPTIONAL BRACKET	
MATERIAL		Cu, Zn, Sn plated Brass, PTFE	
NEMA RATING (IP RATING)		NEMA 6P (IP67)	
DIMENSIONS		See diagram	
WEIGHT		0.30 lbs	
Standards			
UL STANDARD		UL497E	
UL CATEGORY		QVLA	
UL FILE NUMBER		E349646	
STANDARDS		NOM-003-SCFI-2014, NOM-001-SCFI-1993	
ENVIRONMENTAL STANDARDS		ROHS	
Part number			
<b>6000150</b>			

