

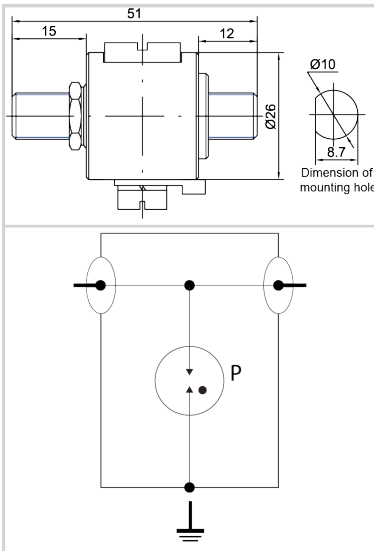


# P8AX09-F/FF

# CITEL



►4GHz Bi-Directional Coaxial Surge Protector - High Energy GDT Technology - Low Insertion Loss - Field Replaceable GDT - Waterproof Design - DC Pass - UL497E Listed



Electrical Characteristics			
Max. DC operating voltage	Uc	72 Vdc	
Frequency range	f	DC-2 GHz	
Insertion loss		< 0.5 dB	
Return loss		> 18 dB	
Impedance		75 ohms	
VSWR		< 1.3:1	
Max. load current @25°C	IL	10 A	
Max. discharge current max. withstand @ 8/20 µs by pole	Imax	20 kA	
Nominal discharge current C2 Category	In	5 kA	
Protection mode(s)		Common mode	
Protection level @1kV/µs (C3)	Up	< 650 V	
Impulse current 2 x 10/350µs Test - D1 Category	Iimp	1 kA	
Max Power		25 W	
Typical let through energy (50 ohms) input 4kV 1.2/50µs - 2kA 8/20µs		300 µJ	
DC Pass		Yes	
Insulation resistance	IR	≥10 GOhms	
RF Power Maximum	W	25.0000	
Return Loss Minimum	db	20	
VSWR Maximum	:1	<1.3	
Max Total Discharge Current Imax (8/20µs x 1)	kA	10.0000	
Max Discharge Current Imax (8/20µs x 1)	kA	10.0000	
RF SPD TYPE		UL497E LISTED	
VOLTS	(V)	48	
AC/DC/DC PV/RF		RF	
WIRES		1W+GROUND	
LINE CURRENT MAX	(A)	10	
AMBIENT MIN	(C)	-40	
AMBIENT MAX	(C)	+85	
IMAX 8/20µs	(kA)	20	
FREQUENCY RANGE	(GHz)	0-4.0	
INSERTION LOSS (@ FREQ)	(db)	<0.2	
RETURN LOSS	(db)	22	
VSWR		<1.25:1	
Installation			
Operating TemperatureMin	°C	-45.0000	
Operating TemperatureMax	°C	85.0000	
Operating TemperatureMin	°F	-50.0000	
Operating TemperatureMax	°F	85.0000	
Operating Relative HumidityMax	%RH	Can be submerged	
Operating AltitudeMin	Ft	2000.0000	
Operating AltitudeMax	Ft	6500.0000	
Housing/Enclosure material		Cu, Zn, Sn plated Brass	



# CITEL

## P8AX09-F/FF

Mounting		Bracket or Bulkhead through-hole
IP Environmental rating/IP		IP65
NEMA Environmental rating/NEMA		NEMA 4
Installation Location		Indoor / outdoor
Spare part		BB HF 90/20
Accessories		BK series mounting bracket
Product DimensionL	mm	51.0000
Product DimensionH	mm	26.0000
Product DimensionW	mm	8.7000
Product DimensionL	In	2.0100
Product DimensionH	In	1.0200
Product DimensionW	In	0.3400
<b>Miscellaneous</b>		
Individual Pack		No
Storage TemperatureMin	°C	-40.0000
Storage TemperatureMax	°C	85.0000
Storage TemperatureMin	°F	-40.0000
Storage TemperatureMax	°F	85.0000
<b>Mechanical Characteristics</b>		
Technology		Gas discharge tube
Connection to Network		Connector F Female/Female
Mounting		Bulkhead or Bracket
Operating temperature	Tu	-40/+85°C
Protection rating		IP65
Failsafe mode		Short-circuit
Contacts		Bronze/Surface Au-Ag
Insulation material		PTFE
TECHNOLOGY		GDT
CONNECTION METHOD		SERIES CONNECTOR, BI-DIRECTIONAL
MOUNTING		BULKHEAD, OPTIONAL BRACKET
MATERIAL		Housing-Cu, Zn, Sn plated Brass
NEMA RATING (IP RATING)		NEMA 6P (IP67)
DIMENSIONS		See diagram
WEIGHT		0.30 lbs
<b>Standards</b>		
Environmental standards		EU RoHS
RohS compliance		Yes
UL STANDARD		UL497E
UL CATEGORY		QVLA
UL FILE NUMBER		E349646
STANDARDS		NOM-003-SCFI-2014, NOM-001-SCFI-1993
<b>Part number</b>		
<b>60211</b>		



# P8AX09-F/FF

# CITEL

