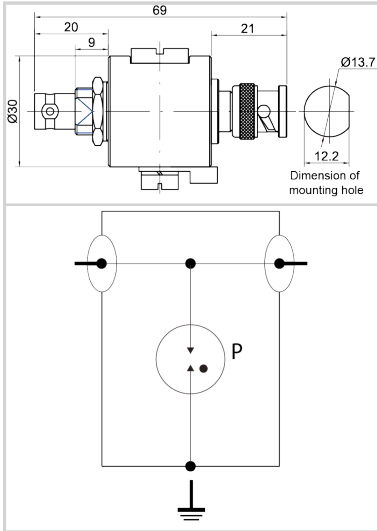




CITEL



P8AX09-B/MF/75



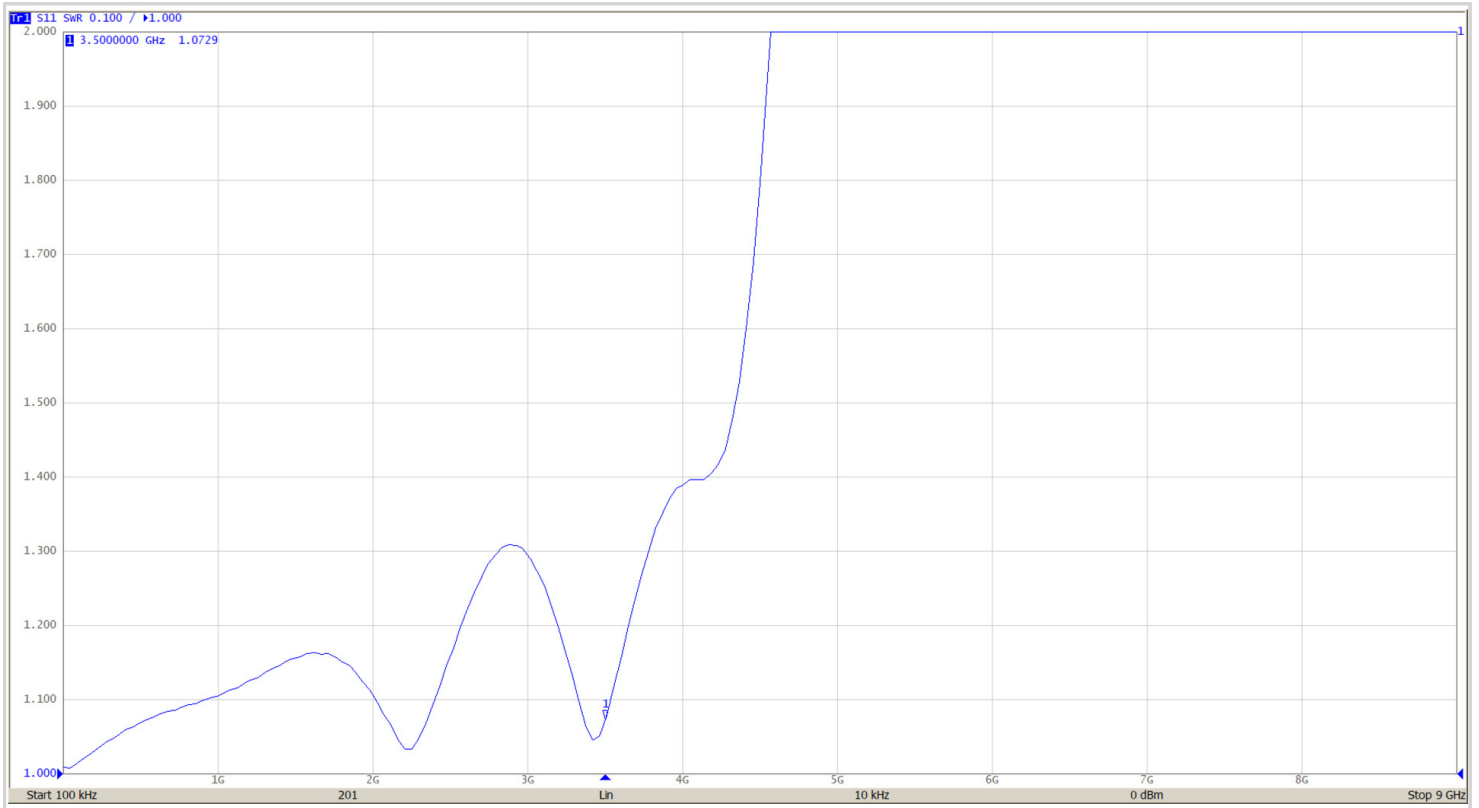
Electrical Characteristics		
Max. DC operating voltage	Uc	72 Vdc
Frequency range	f	DC-2 GHz
Insertion loss		< 0.2 dB
Return loss		> 20 dB
Impedance		75 ohms
VSWR		<1.2:1
Max. load current @25°C	IL	10 A
Max. discharge current <i>max. withstand @ 8/20 µs by pole</i>	Imax	20 kA
Nominal discharge current <i>C2 Category</i>	In	5 kA
Protection mode(s)		Common mode
Protection level <i>@1kV/µs (C3)</i>	Up	< 650 V
Impulse current <i>2 x 10/350µs Test - D1 Category</i>	limp	1 kA
Max Power		25 W
Typical let through energy <i>(50 ohms) input 4kV 1.2/50µs - 2kA 8/20µs</i>		300 µJ
DC Pass		Yes
Insulation resistance	IR	≥10 GOhms
RF SPD TYPE		UL497E LISTED
VOLTS	(V)	48
AC/DC/DC PV/RF		RF
WIRES		1W+GROUND
LINE CURRENT MAX	(A)	10
AMBIENT MIN	(C)	-40
AMBIENT MAX	(C)	+85
IMAX <i>8/20µs</i>	(kA)	20
FREQUENCY RANGE	(GHz)	0-4.0
INSERTION LOSS (@ FREQ)	(db)	<0.2
RETURN LOSS	(db)	22
VSWR		<1.25:1
Installation		
Mounting		Bracket or Bulkhead through-hole
Accessories		BK series mounting bracket
Mechanical Characteristics		
Technology		Gas discharge tube
Connection to Network		Connector BNC Male/Female
Mounting		Bulkhead or Bracket
Operating temperature	Tu	-40/+85°C
Protection rating		IP65
Failsafe mode		Short-circuit
Contacts		Bronze/Surface Au-Ag
Insulation material		PTFE
TECHNOLOGY		GDT
CONNECTION METHOD		SERIES CONNECTOR, BI-DIRECTIONAL



CITEL

P8AX09-B/MF/75

MOUNTING	BULKHEAD, OPTIONAL BRACKET
MATERIAL	Housing-Cu, Zn, Sn plated Brass
NEMA RATING (IP RATING)	NEMA 6P (IP67)
DIMENSIONS	See diagram
WEIGHT	0.30 lbs
Standards	
Environmental standards	EU RoHS
RohS compliance	Yes
UL STANDARD	UL497E
UL CATEGORY	QVLA
UL FILE NUMBER	E349646
STANDARDS	NOM-003-SCFI-2014, NOM-001-SCFI-1993
Part number	
6006312	





P8AX09-B/MF/75

CITEL

