



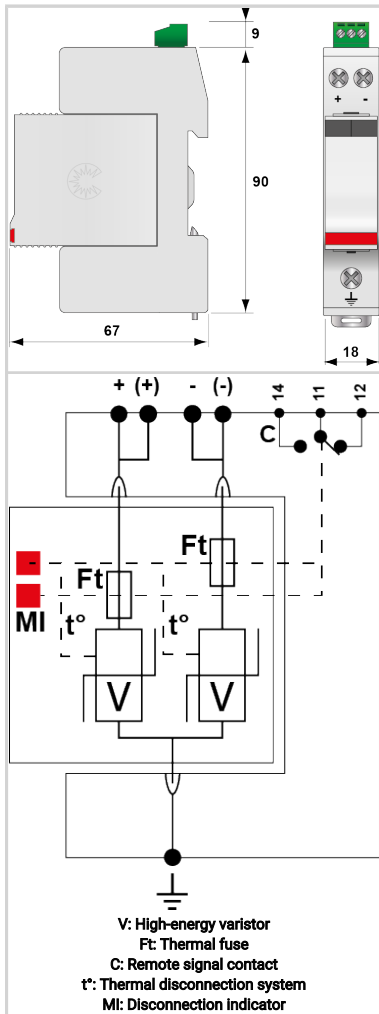
CITEL

DC Power SPD- I_{max} 40kA - In 20kA - Modular

DS240S-95DC



- MOV Technology
- UL1449 Type 4CA
- 40kA Surge Current Rating per module
- Visual fault indicator and remote contacts
- 10-Year warranty



Electrical Characteristics		
Network		DC or PV network 95Vdc
Max. DC operating voltage	Uc	125 Vdc
Max. load current @25°C	IL	50 A
Max. discharge current <i>max. withstand @ 8/20 μs by pole</i>	I _{max}	40 kA
Total Maximum discharge current <i>max. total withstand @ 8/20 μs</i>	I _{max} Total	80 kA
Protection mode(s)		Common mode
Protection level +/-PE (-/PE) <i>@ In (8/20μs)</i>	Up	450 V
POWER SPD TYPE		IEC Type 2
VOLTS	(V)	95
AC/DC/DC PV/RF		DC
PHASE	(PH)	
AMPS	(A)	N/A
AMBIENT MIN	(C)	-40
AMBIENT MAX	(C)	+85
MODES		DC+G or DC-G
IN <i>15 impulses 8/20μs</i>	(kA)	20
SCCR	(kA)	n/a
IMAX <i>8/20μs</i>	(kA)	40
Mechanical Characteristics		
Technology		MOV
Connection to Network		By screw terminals: 1.5-10mm ² (actives wires) and 2.5-25mm ² (ground)
Format		Plug-in modular box
Operating temperature	T _u	-40/+85°C
Protection rating		IP20
Failsafe mode		Disconnection from DC network
TECHNOLOGY		MOV
NETWORK CONFIGURATION		2W+G
CONNECTION METHOD		SPD-Screw Terminal (8-12AWG), Terminal blocks 6AWG
MOUNTING		Wall mount
MATERIAL		Thermoplastic UL94-V0
NEMA RATING (IP RATING)		NEMA 2 (IP20)
FAIL-SAFE BEHAVIOR		Disconnection via fuse-link
REAL-TIME DIAGNOSTICS		Visual indicator and remote contacts
DIMENSIONS		See diagram
WEIGHT		0.30 lbs
Standards		
UL STANDARD		UL1449 5th Edition
UL CATEGORY		VZCA2, VZCA8



CITEL

DC Power SPD- I_{max} 40kA - In 20kA - Modular

DS240S-95DC

UL FILE NUMBER	E326289
STANDARDS	IEC 61643-11, NOM-003-SCFI-2014, NOM-001-SCFI-1993
ENVIRONMENTAL STANDARDS	ROHS
Part number	
310311	

