

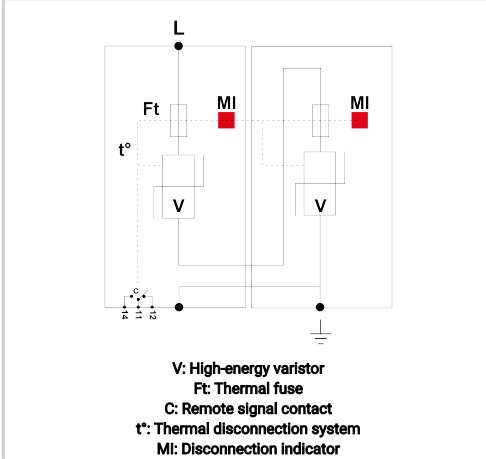
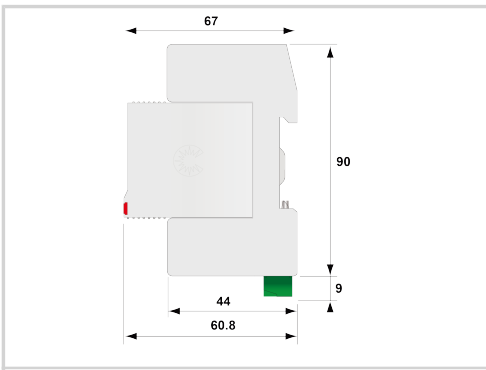


CITEL

DS41S-1000



- ▶ UL1449 LISTED SPD-Type 4CA
- ▶ MOV Technology
- ▶ 40kA Surge Current Rating
- ▶ Visual fault indicator and remote contacts
- ▶ 10-Year warranty



Electrical Characteristics		
POWER SPD TYPE		UL1449 5th Ed. TYPE 4CA
VOLTS	(V)	1000
AC/DC/DC PV/RF		AC
PHASE	(PH)	1
AMPS	(A)	N/A
AMBIENT MIN	(C)	-40
AMBIENT MAX	(C)	+60
MODES		L-G
MLV	(V)	6660
MCOV	(V)	1000
IN	(kA)	20
15 impulses 8/20μs		
IMAX	(kA)	40
8/20μs		
Mechanical Characteristics		
Technology		MOV
CONNECTION METHOD		SPD-Screw Terminal (8-12AWG), Terminal blocks 6AWG
MOUNTING		Din Rail
MATERIAL		Thermoplastic UL94-V0
NEMA RATING (IP RATING)		NEMA 2 (IP20)
FAIL-SAFE BEHAVIOR		Disconnection via fuse-link
REAL-TIME DIAGNOSTICS		Visual indicator and remote contacts
DIMENSIONS		See diagram
Standards		
Certification		UL Recognized
UL STANDARD		UL1449 5th Edition
UL CATEGORY		VZCA2, VZCA8
UL FILE NUMBER		E326289
STANDARDS		IEC 61643-11, NOM-003-SCFI-2014, NOM-001-SCFI-1993
ENVIRONMENTAL STANDARDS		ROHS
Part number		
462921		

