



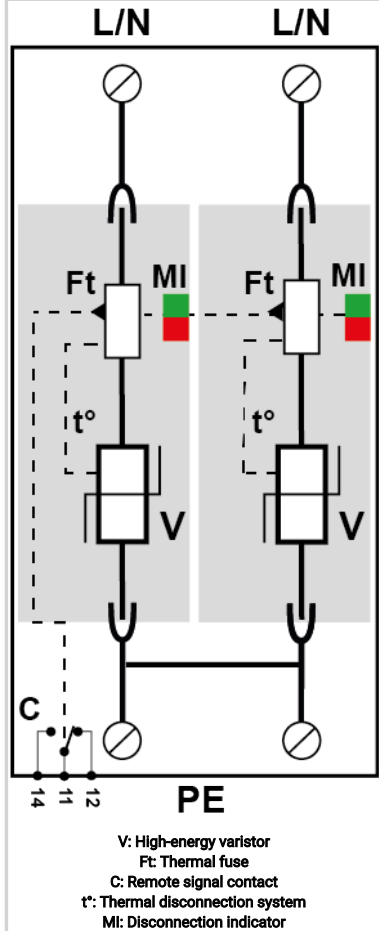
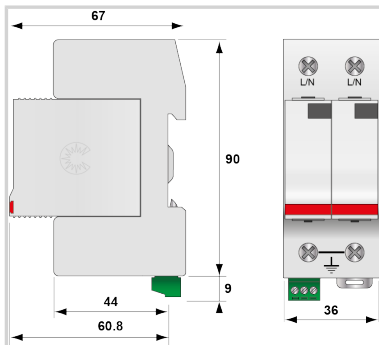
# CITEL

## UL TYPE 1 SPD - I<sub>max</sub> 40kA - I<sub>n</sub> 20kA - Modular

### DS42S-400



- ▶ UL1449 TYPE 1 LISTED SPD
- ▶ MOV Technology
- ▶ 40kA Surge Current Rating
- ▶ Visual fault indicator and remote contacts
- ▶ 10-Year warranty



Electrical Characteristics	
Network	230 V single-phase
Nominal line voltage	Un 400 Vac
Max. AC operating voltage	Uc 440 Vac
Connection mode(s)	L/PE and N/PE
Protection mode(s)	Common mode
Residual voltage at 5 kA @ 5 kA (8/20µs)	Up-5kA 1.3 kV
Protection level N/PE @ In (8/20µs)	Up N/PE 1.8 kV
POWER SPD TYPE	UL1449 TYPE 1 LISTED
VOLTS (V)	480/277
AC/DC/DC PV/RF	AC
PHASE (PH)	3Y
AMPS (A)	N/A
AMBIENT MIN (C)	-35
AMBIENT MAX (C)	+60
MODES	L-L, L-G
VPR (V)	2500/-/1500/-
MCOV (V)	680/-/420/-
IN (kA)	20
15 impulses 8/20µs	
SCCR (kA)	100
IMAX 8/20µs (kA)	40
Iimp 10/350µs (kA)	4
Mechanical Characteristics	
IP degree	IP 20
Format	Plug-in modular box
Operating temperature	Tu -40/+85°C
Failsafe mode	Disconnection from AC network
TECHNOLOGY	MOV
NETWORK CONFIGURATION	2 pole, 2W+G, Single/Spilt Phase
CONNECTION METHOD	SPD-Screw Terminal (8-12AWG), Terminal blocks 6AWG
MOUNTING	Din Rail
MATERIAL	Thermoplastic UL94-V0
NEMA RATING (IP RATING)	NEMA 2 (IP20)
FAIL-SAFE BEHAVIOR	Disconnection via fuse-link
REAL-TIME DIAGNOSTICS	Visual indicator and remote contacts
DIMENSIONS	See diagram
WEIGHT	0.60 lbs
SPARE PART	DSM40-400
Standards	
Certification	UL / CSA / TUV Süd
Environmental standards	EU RoHS
UL STANDARD	UL1449 5th Edition
UL CATEGORY	VZCA7
UL FILE NUMBER	E326289
STANDARDS	NOM-003-SCFI-2014, NOM-001-SCFI-1993
Part number	
<b>461421</b>	

