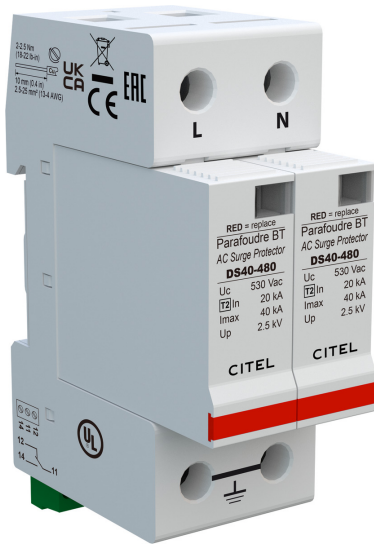
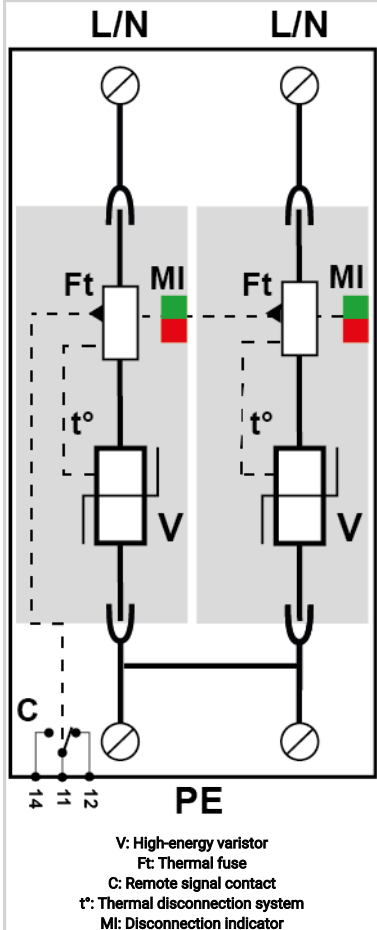
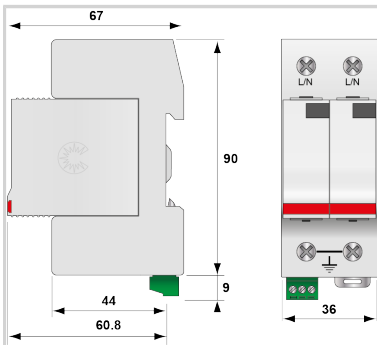




CITEL



- ▶ UL1449 TYPE 1 LISTED SPD
- ▶ MOV Technology
- ▶ 40kA Surge Current Rating
- ▶ Visual fault indicator and remote contacts
- ▶ 10-Year warranty



Electrical Characteristics

Network		230-277 V Single-phase
Nominal line voltage	Un	230-277 Vac
Max. AC operating voltage	Uc	530 Vac
Connection mode(s)		L/PE and N/PE
Protection mode(s)		Common mode
Protection level N/PE @ In (8/20µs)	Up N/PE	2.5 kV
POWER SPD TYPE		UL1449 TYPE 1 LISTED
VOLTS	(V)	480/277
AC/DC/DC PV/RF		AC
PHASE	(PH)	3Y
AMPS	(A)	N/A
AMBIENT MIN	(C)	-40
AMBIENT MAX	(C)	+85
MODES		L-L, L-G
VPR	(V)	4000/-/1800/-
MCOV	(V)	550/-/550/-
IN		
15 impulses 8/20µs	(kA)	20
SCCR	(kA)	100
IMAX 8/20µs	(kA)	40
limp 10/350µs	(kA)	4

Option

Remote status dry contact electrical rating	Max Voltage	V	250.0000
Remote status dry contact electrical rating	Max Current	A	0.5000

Installation

Housing/Enclosure material		Thermoplastic
Flammability rating	UL 94	V0
Mounting		Din Rail
IP Environmental rating	IP	IP20
NEMA Environmental rating	NEMA	NEMA 1
Installation Location		Indoor
Spare part		Module

Miscellaneous

Individual Pack		Yes
Storage Temperature	Max	°C 85.0000
Storage Temperature	Min	°F -40.0000

Mechanical Characteristics

IP degree		IP 20
Format		Plug-in modular box
Operating temperature	Tu	-40/+85°C
Failsafe mode		Disconnection from AC network
TECHNOLOGY		MOV
NETWORK CONFIGURATION		1PH, 3W+G, Split Phase
CONNECTION METHOD		SPD-Screw Terminal (8-12AWG), Terminal blocks 6AWG
MOUNTING		Din Rail
MATERIAL		Thermoplastic UL94-V0
NEMA RATING (IP RATING)		NEMA 2 (IP20)
FAIL-SAFE BEHAVIOR		Disconnection via fuse-link



CITEL

UL121201 Hazardous Locations- Imax 40kA - In 20kA - Modular

DS42S-480

REAL-TIME DIAGNOSTICS	Visual indicator and remote contacts
DIMENSIONS	See diagram
WEIGHT	0.60 lbs
SPARE PART	DSM40-480
Standards	
Certification	CSA / UL Listed
Environmental standards	EU RoHS
UL STANDARD	UL1449 5th Edition
UL CATEGORY	VZCA, VZCA7
UL FILE NUMBER	E326289
STANDARDS	NOM-003-SCFI-2014, NOM-001-SCFI-1993
Part number	
461015	

