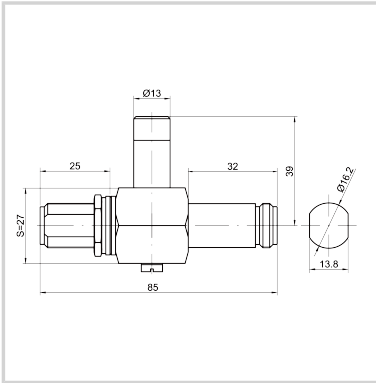




CITEL

PRC2400-NW/FF



| Electrical Characteristics | | |
|---|------|---------------------------|
| Frequency range | f | 2300-2500 MHz |
| Insertion loss | | < 0.2 dB |
| Return loss | | > 20 dB |
| Impedance | | 50 ohms |
| VSWR | | <1.2:1 |
| Max. load current @25°C | IL | 10 A |
| Max. discharge current <i>max. withstand @ 8/20 µs by pole</i> | Imax | 50 kA |
| Nominal discharge current <i>C2 Category</i> | In | 25 kA |
| Protection mode(s) | | Common mode |
| Impulse current <i>2 x 10/350µs Test - D1 Category</i> | limp | 25 kA |
| Max Power @f mini. | | 848 W |
| PIM 3rd order (2x20W) | | < -160 dBc |
| DC Pass | | No |
| Mechanical Characteristics | | |
| Technology | | Quarter Wave |
| Connection to Network | | Connector N Female/Female |
| Mounting | | Feedthrough |
| Operating temperature | Tu | -40/+85°C |
| Protection rating | | IP65 |
| Failsafe mode | | Without |
| Contacts | | Bronze/Surface Au-Ag |
| Insulation material | | PTFE |
| Standards | | |
| RohS compliance | | Yes |
| Part number | | |
| 621171 | | |

