



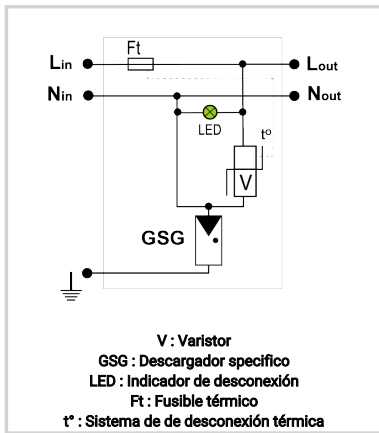
# CITEL

## UL TYPE 4CA - I<sub>max</sub> 22kA - I<sub>n</sub> 10kA

### MLPC1-277L-V/50



- ▶ UL1449 Type 2 SPD
- ▶ 120 VAC to 277 VAC
- ▶ Plate Mounting
- ▶ Screw Terminal Connection
- ▶ Series or Parallel Installation
- ▶ Status indicator
- ▶ Disconnection AC end of life
- ▶ EN 61643-11 compliance
- ▶ Total Surge Rating – I<sub>total</sub>: 20kA
- ▶ ANSI C136.2



| Características eléctricas             |                  |  |
|--|------------------|--|
| Tensión nominal de línea               | Un               | 100 V-277 V  |
| Corriente de descarga máxima           | I <sub>max</sub> | 10 kA  |
| Capacidad máx. En onda 8/20µs por polo |                  |  |
| POWER SPD TYPE                         |                  | UL1449 TYPE 2 LISTED                               |
| TENSION                                | (V)              | 277  |
| AC/DC/DC PV/RF                         |                  | AC   |
| FASE                                   | (PH)             | 1  |
| AMPS                                   | (A)              | 5  |
| AMBIENT MIN                            | (C)              | -40  |
| AMBIENT MAX                            | (C)              | +85  |
| MODOS                                  |                  | L-L, L-G, L-N, N-G                                 |
| VPR                                    | (V)              | 1500/1500/1200                                     |
| MCOV                                   | (V)              | 385/385/255  |
| IN                                     | (kA)             | 5  |
| I <sub>cc</sub> cortocircuito          | (kA)             | 18   |
| IMAX                                   | (kA)             | 10   |
| Características mecánicas              |                  |  |
| TECNOLOGIA                             |                  | MOV-GSG  |
| CONFIGURACION DE RED                   |                  | 2 pole, 2W+G, Single/Spilt Phase                   |
| FORMA DE CONEXION                      |                  | Screw Terminal (4-10AWG)                           |
| MONTAJE                                |                  | FLANGE MOUNT                                       |
| MATERIAL                               |                  | Thermoplastic UL94-V0                              |
| NEMA RATING (IP RATING)                |                  | NEMA 2 (IP20)                                      |
| DESCONEXION SEGURA                     |                  | Disconnection via fuse-link                        |
| REAL-TIME DIAGNOSTICS                  |                  | LED Indicator                                      |
| DIMENSIONS                             |                  | See diagram  |
| WEIGHT                                 |                  | 0.30 lbs   |
| Normas                                 |                  |  |
| Certificación                          |                  | UL Listed / IMQ                                    |
| Normas ambientales                     |                  | EU RoHS  |
| UL STANDARD                            |                  | UL1449 5th Edition                                 |
| UL CATEGORY                            |                  | VZCA2, VZCA8                                       |
| NORMAS                                 |                  | IEC 61643-11, NOM-003-SCFI-2014, NOM-001-SCFI-1993 |
| ANSI/IEEE C62.41                       |                  | Category C 20kV/10kA                               |
| ANSI/IEEE C136.2                       |                  | Enhanced Category 10kV/5kA                         |
| Código                                 |                  |  |
| <b>831322</b>                          |                  |  |

