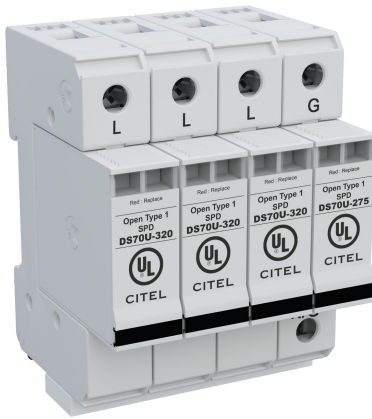




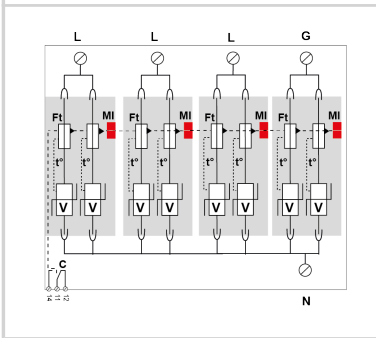
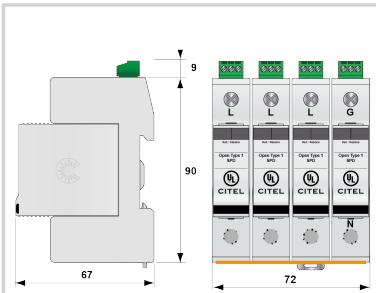
CITEL

UL TYPE 1 SPD - I_{max} 75kA - In 20/30kA - Modular Assembly

DS74US-240Y



- Multi-MOV Technology
- UL1449 Type 1 LISTED
- IEC Type 1+2
- 75kA Surge Current Rating per module
- Visual fault indicator and remote contacts
- Replaceable Modules
- 10-Year warranty



| Características eléctricas | | |
|-------------------------------|------|---|
| POWER SPD TYPE | | UL1449 TYPE 1 LISTED |
| TENSION | (V) | 120/208/240 |
| AC/DC/DC PV/RF | | AC |
| FASE | (PH) | 3Y |
| AMPS | (A) | N/A |
| AMBIENT MIN | (C) | -40 |
| AMBIENT MAX | (C) | +85 |
| MODOS | | L-L, L-N, L-G, N-G |
| VPR | (V) | 1800/1000/1800/900 |
| MCOV | (V) | 640/320/595/275 |
| IN | (kA) | 20 |
| I _{cc} cortocircuito | (kA) | 200 |
| IMAX | (kA) | 75 |
| RELATIVE HUMIDITY | (%) | 95% |
| Características mecánicas | | |
| TECNOLOGIA | | Multi-MOV |
| CONFIGURACION DE RED | | 3PH, 4W+G, Wye |
| FORMA DE CONEXION | | Screw Terminal, 13-2AWG Solid Wire, 13-4AWG Stranded Wire |
| MONTAJE | | Din Rail |
| MATERIAL | | Thermoplastic UL94-V0 |
| NEMA RATING (IP RATING) | | NEMA 2 (IP20) |
| DESCONEXION SEGURA | | Yes, no upstream over current protection required |
| REAL-TIME DIAGNOSTICS | | Visual indicator and remote contacts |
| DIMENSIONS | | See diagram |
| WEIGHT | | 1.20 lbs |
| Normas | | |
| Normas ambientales | | EU RoHS |
| UL STANDARD | | UL1449 5th Edition |
| UL CATEGORY | | VZCA, VZCA7 |
| UL FILE NUMBER | | E326289 |
| NORMAS | | NOM-003-SCFI-2014, NOM-001-SCFI-1993 |
| Código | | |
| 321944552 | | |

