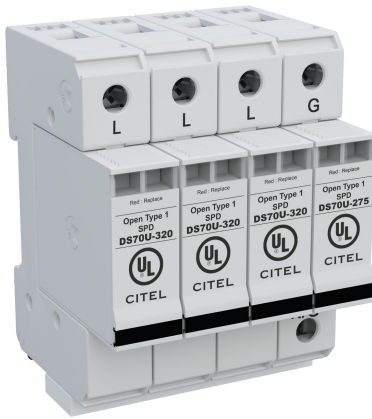




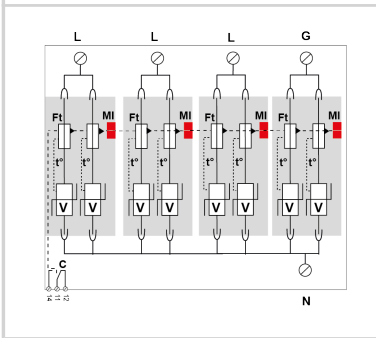
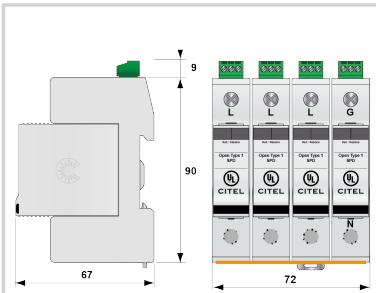
CITEL

UL TYPE 1 SPD - I_{max} 75kA - In 20/30kA - Modular Assembly

DS74US-240Y



- Multi-MOV Technology
- UL1449 Type 1 LISTED
- IEC Type 1+2
- 75kA Surge Current Rating per module
- Visual fault indicator and remote contacts
- Replaceable Modules
- 10-Year warranty



| Electrical Characteristics | |
|----------------------------|---|
| POWER SPD TYPE | UL1449 TYPE 1 LISTED |
| VOLTS | (V) 120/208/240 |
| AC/DC/DC PV/RF | AC |
| PHASE | (PH) 3Y |
| AMPS | (A) N/A |
| AMBIENT MIN | (C) -40 |
| AMBIENT MAX | (C) +85 |
| MODES | L-L, L-N, L-G, N-G |
| VPR | (V) 1800/1000/1800/900 |
| MCOV | (V) 640/320/595/275 |
| IN | (kA) 20 |
| | 15 impulses 8/20 μ s |
| SCCR | (kA) 200 |
| IMAX | (kA) 75 |
| | 8/20 μ s |
| RELATIVE HUMIDITY | (%) 95% |
| Mechanical Characteristics | |
| TECHNOLOGY | Multi-MOV |
| NETWORK CONFIGURATION | 3PH, 4W+G, Wye |
| CONNECTION METHOD | Screw Terminal, 13-2AWG Solid Wire, 13-4AWG Stranded Wire |
| MOUNTING | Din Rail |
| MATERIAL | Thermoplastic UL94-V0 |
| NEMA RATING (IP RATING) | NEMA 2 (IP20) |
| FAIL-SAFE BEHAVIOR | Yes, no upstream over current protection required |
| REAL-TIME DIAGNOSTICS | Visual indicator and remote contacts |
| DIMENSIONS | See diagram |
| WEIGHT | 1.20 lbs |
| Standards | |
| Environmental standards | EU RoHS |
| UL STANDARD | UL1449 5th Edition |
| UL CATEGORY | VZCA, VZCA7 |
| UL FILE NUMBER | E326289 |
| STANDARDS | NOM-003-SCFI-2014, NOM-001-SCFI-1993 |
| Part number | |
| 321944552 | |

