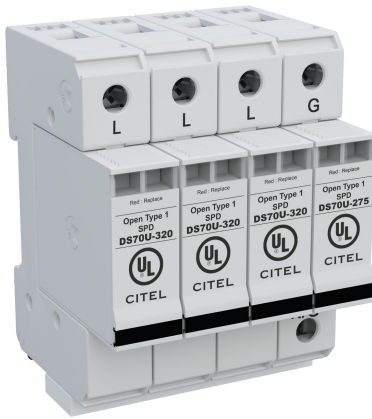




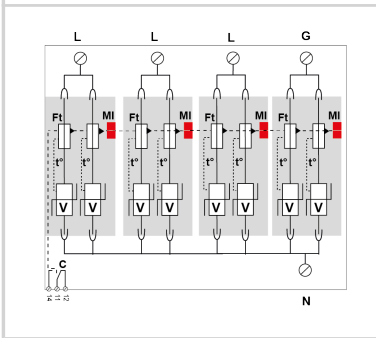
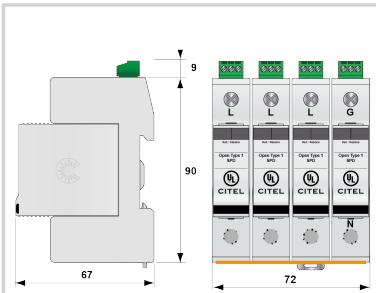
CITEL

UL TYPE 1 SPD - I_{max} 75kA - I_n 20/30kA - Modular Assembly

DS74US-230Y



- Multi-MOV Technology
- UL1449 Type 1 LISTED
- IEC Type 1+2
- 75kA Surge Current Rating per module
- Visual fault indicator and remote contacts
- Replaceable Modules
- 10-Year warranty



Características eléctricas

POWER SPD TYPE		UL1449 TYPE 1 LISTED
TENSION	(V)	400/230
AC/DC/DC PV/RF		AC
FASE	(PH)	3Y
AMPS	(A)	N/A
AMBIENT MIN	(C)	-40
AMBIENT MAX	(C)	+85
MODOS		L-L, L-N, L-G, N-G
VPR	(V)	1800/100/1800/900
MCOV	(V)	640/320/595/275
I _N	(kA)	20
I _{cc} cortocircuito	(kA)	200
I _{MAX}	(kA)	75
RELATIVE HUMIDITY	(%)	95%

Características mecánicas

TECNOLOGIA		Multi-MOV
CONFIGURACION DE RED		3PH, 4W+G, Wye
FORMA DE CONEXION		Screw Terminal, 13-2AWG Solid Wire, 13-4AWG Stranded Wire
MONTAJE		Din Rail
MATERIAL		Thermoplastic UL94-V0
NEMA RATING (IP RATING)		NEMA 2 (IP20)
DESCONEXION SEGURA		Yes, no upstream over current protection required
REAL-TIME DIAGNOSTICS		Visual indicator and remote contacts
DIMENSIONS		See diagram
WEIGHT		1.20 lbs

Normas

Normas ambientales		EU RoHS
UL STANDARD		UL1449 5th Edition
UL CATEGORY		VZCA, VZCA7
UL FILE NUMBER		E326289
NORMAS		NOM-003-SCFI-2014, NOM-001-SCFI-1993

Código

321944551

