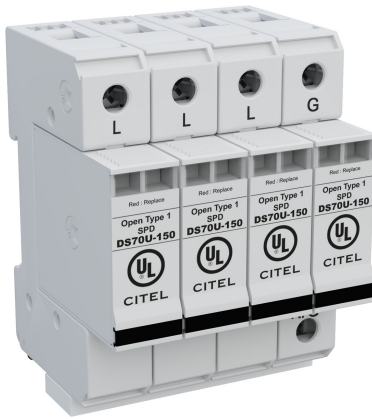




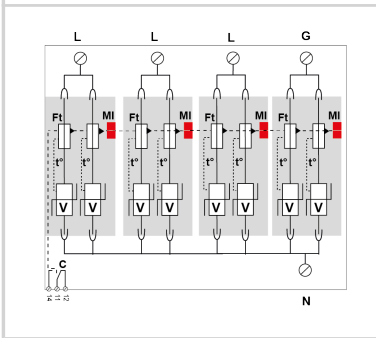
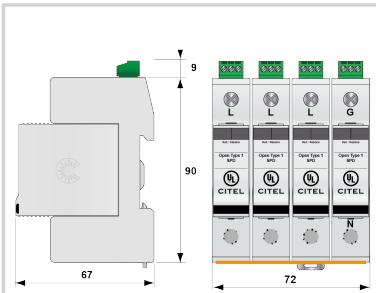
CITEL

UL TYPE 1 SPD - I_{max} 75kA - In 20/30kA - Modular Assembly

DS74US-120Y



- Multi-MOV Technology
- UL1449 Type 1 LISTED
- IEC Type 1+2
- 75kA Surge Current Rating per module
- Visual fault indicator and remote contacts
- Replaceable Modules
- 10-Year warranty



Características eléctricas	
POWER SPD TYPE	UL1449 TYPE 1 LISTED
TENSION	(V) 208/120
AC/DC/DC PV/RF	AC
FASE	(PH) 3Y
AMPS	(A) N/A
AMBIENT MIN	(C) -40
AMBIENT MAX	(C) +85
MODOS	L-L, L-N, L-G, N-G
VPR	(V) 1200/800/1200/700
MCOV	(V) 300/150/300/150
IN	(kA) 20
I _{cc} cortocircuito	(kA) 200
IMAX	(kA) 75
RELATIVE HUMIDITY	(%) 95%
Características mecánicas	
TECNOLOGIA	Multi-MOV
CONFIGURACION DE RED	3PH, 4W+G, Wye
FORMA DE CONEXION	Screw Terminal, 13-2AWG Solid Wire, 13-4AWG Stranded Wire
MONTAJE	Din Rail
MATERIAL	Thermoplastic UL94-V0
NEMA RATING (IP RATING)	NEMA 2 (IP20)
DESCONEXION SEGURA	Yes, no upstream over current protection required
REAL-TIME DIAGNOSTICS	Visual indicator and remote contacts
DIMENSIONS	See diagram
WEIGHT	1.07 lbs
Normas	
Normas ambientales	EU RoHS
UL STANDARD	UL1449 5th Edition
UL CATEGORY	VZCA, VZCA7
UL FILE NUMBER	E326289
NORMAS	NOM-003-SCFI-2014, NOM-001-SCFI-1993
Código	
321614551	

