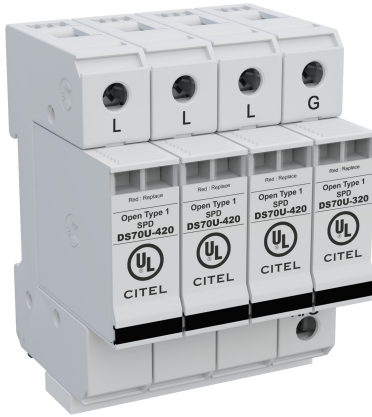




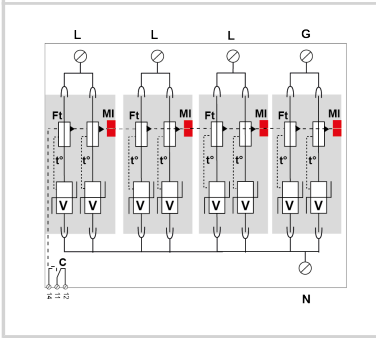
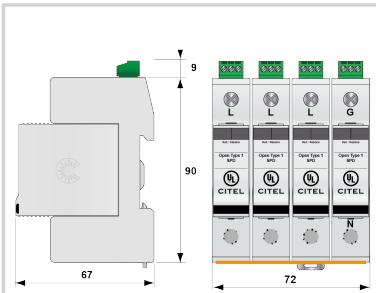
CITEL

UL TYPE 1 SPD - I_{max} 75kA - I_n 20/30kA - Modular Assembly

DS74US-277Y



- Multi-MOV Technology
- UL1449 Type 1 LISTED
- IEC Type 1+2
- 75kA Surge Current Rating per module
- Visual fault indicator and remote contacts
- Replaceable Modules
- 10-Year warranty



Características eléctricas		
POWER SPD TYPE		UL1449 TYPE 1 LISTED
TENSION	(V)	480/277
AC/DC/DC PV/RF		AC
FASE	(PH)	3Y
AMPS	(A)	N/A
AMBIENT MIN	(C)	-40
AMBIENT MAX	(C)	+85
MODOS		L-L, L-N, L-G, N-G
VPR	(V)	2500/1500/2500/1000
MCOV	(V)	920/460/880/420
I _N	(kA)	20
I _{cc} cortocircuito	(kA)	200
I _{MAX}	(kA)	75
RELATIVE HUMIDITY	(%)	95%
Características mecánicas		
TECNOLOGIA		Multi-MOV
CONFIGURACION DE RED		3PH, 4W+G, Wye
FORMA DE CONEXION		Screw Terminal, 13-2AWG Solid Wire, 13-4AWG Stranded Wire
MONTAJE		Din Rail
MATERIAL		Thermoplastic UL94-V0
NEMA RATING (IP RATING)		NEMA 2 (IP20)
DESCONEXION SEGURA		Yes, no upstream over current protection required
REAL-TIME DIAGNOSTICS		Visual indicator and remote contacts
DIMENSIONS		See diagram
WEIGHT		1.32 lbs
Normas		
UL STANDARD		UL1449 5th Edition
UL CATEGORY		VZCA, VZCA7
UL FILE NUMBER		E326289
NORMAS		NOM-003-SCFI-2014, NOM-001-SCFI-1993
ENVIRONMENTAL STANDARDS		ROHS
Código		
32144455		

