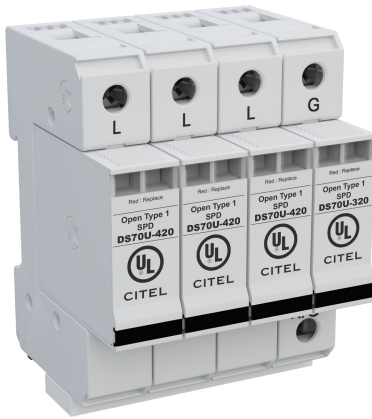




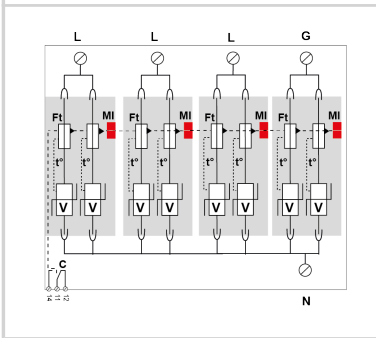
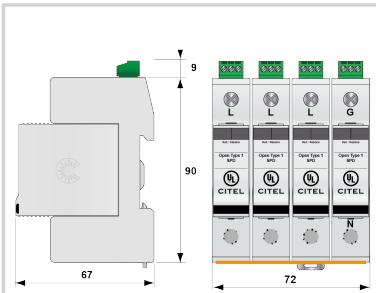
# CITEL

## UL TYPE 1 SPD - I<sub>max</sub> 75kA - In 20/30kA - Modular Assembly

### DS74US-277Y



- Multi-MOV Technology
- UL1449 Type 1 LISTED
- IEC Type 1+2
- 75kA Surge Current Rating per module
- Visual fault indicator and remote contacts
- Replaceable Modules
- 10-Year warranty



Electrical Characteristics	
POWER SPD TYPE	UL1449 TYPE 1 LISTED
VOLTS	(V) 480/277
AC/DC/DC PV/RF	AC
PHASE	(PH) 3Y
AMPS	(A) N/A
AMBIENT MIN	(C) -40
AMBIENT MAX	(C) +85
MODES	L-L, L-N, L-G, N-G
VPR	(V) 2500/1500/2500/1000
MCOV	(V) 920/460/880/420
IN	(kA) 20
<i>15 impulses 8/20µs</i>	
SCCR	(kA) 200
IMAX	(kA) 75
<i>8/20µs</i>	
RELATIVE HUMIDITY	(%) 95%
Mechanical Characteristics	
TECHNOLOGY	Multi-MOV
NETWORK CONFIGURATION	3PH, 4W+G, Wye
CONNECTION METHOD	Screw Terminal, 13-2AWG Solid Wire, 13-4AWG Stranded Wire
MOUNTING	Din Rail
MATERIAL	Thermoplastic UL94-V0
NEMA RATING (IP RATING)	NEMA 2 (IP20)
FAIL-SAFE BEHAVIOR	Yes, no upstream over current protection required
REAL-TIME DIAGNOSTICS	Visual indicator and remote contacts
DIMENSIONS	See diagram
WEIGHT	1.32 lbs
Standards	
Environmental standards	EU RoHS
UL STANDARD	UL1449 5th Edition
UL CATEGORY	VZCA, VZCA7
UL FILE NUMBER	E326289
STANDARDS	NOM-003-SCFI-2014, NOM-001-SCFI-1993
Part number	
<b>32144455</b>	

