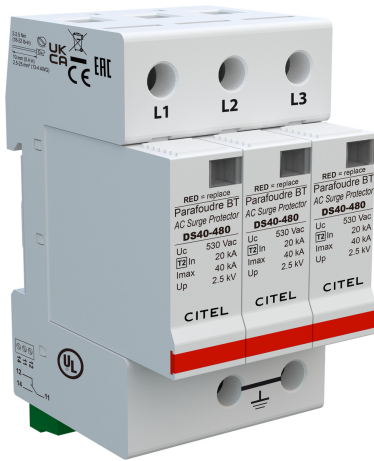




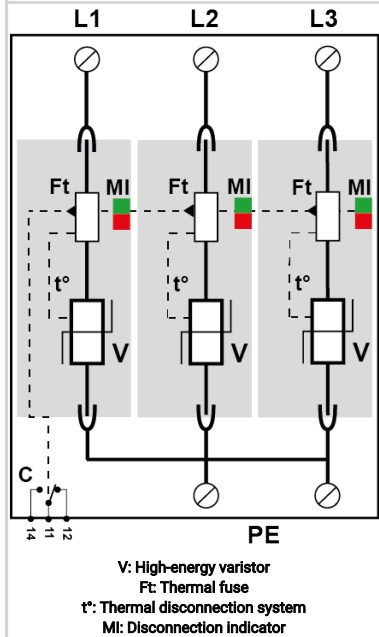
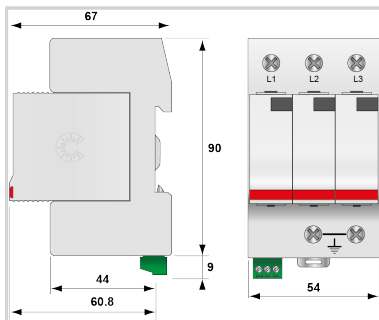
CITEL

UL TYPE 1 SPD - I_{max} 40kA - I_n 20kA - Modular

DS43S-480



- ▶ UL1449 TYPE 1 LISTED SPD
- ▶ MOV Technology
- ▶ 40kA Surge Current Rating
- ▶ Visual fault indicator and remote contacts
- ▶ 10-Year warranty



Electrical Characteristics

Network		800 V 3-phase
Nominal line voltage	U _n	480 Vac
Max. AC operating voltage	U _c	530 Vac
Max. discharge current <i>max. withstand @ 8/20 μs by pole</i>	I _{max}	40 kA
Total Maximum discharge current <i>max. total withstand @ 8/20 μs</i>	I _{max} Total	120 kA
Connection mode(s)		L/PE
Protection mode(s)		Common mode
POWER SPD TYPE		UL1449 TYPE 1 LISTED
VOLTS	(V)	480
AC/DC/DC PV/RF		AC
PHASE	(PH)	3D
AMPS	(A)	N/A
AMBIENT MIN	(C)	-35
AMBIENT MAX	(C)	+60
MODES		L-L, L-G
VPR	(V)	4000/-/1800/-
MCOV	(V)	550/-/550/-
IN <i>15 impulses 8/20μs</i>	(kA)	20
SCCR	(kA)	100
IMAX <i>8/20μs</i>	(kA)	40
Iimp <i>10/350μs</i>	(kA)	4

Option

RFI Filter		no
------------	--	----

Installation

Wiring type		Screw
Solid wire cross section _{Min}	mm ²	2.5000
Solid Wire cross section _{Max}	mm ²	35.0000
Stranded Wire cross section _{Min}	mm ²	2.5000
Stranded wire cross section _{Max}	mm ²	25.0000
Wire gauge _{Min}	AWG	13.0000
Wire gauge _{Max}	AWG	2.0000
Torque	Nm	2.0 - 2.5
Torque	in-lbs	17.8 - 22.1
Strip Length	mm	13.0000
Strip Length	in	0.5000
Operating Temperature _{Min}	°C	-40.0000
Operating Temperature _{Max}	°C	85.0000
Operating Temperature _{Min}	°F	-40.0000
Operating Temperature _{Max}	°F	85.0000
Operating Relative Humidity _{Max}	%RH	95
Operating Altitude _{Min}	Ft	2000.0000
Operating Altitude _{Max}	Ft	6500.0000
Housing/Enclosure material		Thermoplastic
Flammability rating _{UL 94}		V0
Mounting		Din Rail
IP Environmental rating _{IP}		IP20
NEMA Environmental rating _{NEMA}		NEMA 1
Installation Location		Indoor
Spare part		Module
Product Dimension _L	mm	99.0000



CITEL

UL TYPE 1 SPD - I_{max} 40kA - I_n 20kA - Modular

DS43S-480

Product Dimension H	mm	67.0000
Product Dimension W	mm	54.0000
Product Dimension L	In	3.8900
Product Dimension H	In	2.6400
Product Dimension W	In	2.1300
Miscellaneous		
Individual Pack		Yes
Storage Temperature Min	°C	-40.0000
Storage Temperature Max	°C	85.0000
Storage Temperature Min	°F	-40.0000
Storage Temperature Max	°F	85.0000
Storage Relative Humidity Max	%RH	95.0000
Mechanical Characteristics		
Technology		MOV
Connection to Network		By screw terminals: 2.5-25mm ² / by bus
Format		Plug-in modular box
Mounting		Symmetrical rail 35 mm (EN 60715)
Operating temperature	Tu	-40/+85°C
Protection rating		IP20
Failsafe mode		Disconnection from AC network
TECHNOLOGY		MOV
NETWORK CONFIGURATION		3PH, 3W+G, Delta
CONNECTION METHOD		SPD-Screw Terminal (8-12AWG), Terminal blocks 6AWG
MOUNTING		Din Rail
MATERIAL		Thermoplastic UL94-V0
NEMA RATING (IP RATING)		NEMA 2 (IP20)
FAIL-SAFE BEHAVIOR		Disconnection via fuse-link
REAL-TIME DIAGNOSTICS		Visual indicator and remote contacts
DIMENSIONS		See diagram
WEIGHT		0.90 lbs
SPARE PART		DSM40-480
Standards		
Certification		UL
Environmental standards		EU RoHS
UL STANDARD		UL1449 5th Edition
UL CATEGORY		VZCA, VZCA7
UL FILE NUMBER		E326289
STANDARDS		NOM-003-SCFI-2014, NOM-001-SCFI-1993
Part number		
461017		

