



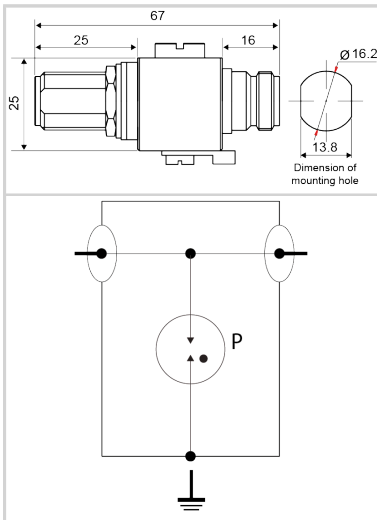
# CITEL

**- UL497E LISTED - I<sub>max</sub> 20kA (10kA UL) - I<sub>n</sub> 10kA (10kA UL) - Bi-directional - Replaceable Gas Tube**

## P8AX09-6G-N/FF



- ▶ Gas Discharge Tube Technology, DC Pass
- ▶ Frequency Range 0-6 GHz
- ▶ I<sub>max</sub> 20kA, 10kA (UL), I<sub>n</sub> 10kA
- ▶ IP67 Outdoor Rated
- ▶ SMA Type Connector
- ▶ Bi-Directional
- ▶ Replaceable Gas Tube



Electrical Characteristics		
Max. DC operating voltage	Uc	120 Vdc
Frequency range	f	DC-6 GHz
Insertion loss		< 0.2 dB
Return loss		≥20 dB
Impedance		50 ohms
VSWR		<1.25:1
Max. load current @25°C	IL	10 A
Max. discharge current <i>max. withstand @ 8/20 μs by pole</i>	I <sub>max</sub>	15 kA
Nominal discharge current <i>C2 Category</i>	I <sub>n</sub>	5 kA
Impulse current <i>2 x 10/350μs Test - D1 Category</i>	I <sub>imp</sub>	1 kA
Max Power		25 W
Typical let through energy <i>(50 ohms) input 4kV 1.2/50μs - 2kA 8/20μs</i>		2.2 mJ
DC Pass		Yes
Insulation resistance	IR	≥10 GOhms
RF SPD TYPE		UL497E LISTED
VOLTS	(V)	48
AC/DC/DC PV/RF		RF
POWER RATING	(W)	25
AMBIENT MIN	(C)	-40
AMBIENT MAX	(C)	+85
RESIDUAL VOLTAGE	(V)	700
IN <i>10 impulses 8/20μs</i>	(kA)	10
IMAX <i>8/20μs</i>	(kA)	20
Installation		
Operating Temperature <sub>Min</sub>	°C	-45.0000
Operating Temperature <sub>Max</sub>	°C	85.0000
Operating Relative Humidity <sub>Max</sub>	%RH	Can be submerged
Operating Altitude <sub>Min</sub>	Ft	2000.0000
Operating Altitude <sub>Max</sub>	Ft	6500.0000
Mounting		Bracket or through hole
Installation Location		Indoor / outdoor
Spare part		BA HF 90/20
Accessories		BK
Miscellaneous		
Individual Pack		No
Mechanical Characteristics		
Technology		Gas discharge tube
Connection to Network		Connector N Female/Female
Mounting		Feedthrough
Operating temperature	Tu	-40/+85°C
Protection rating		IP65
Failsafe mode		Short-circuit

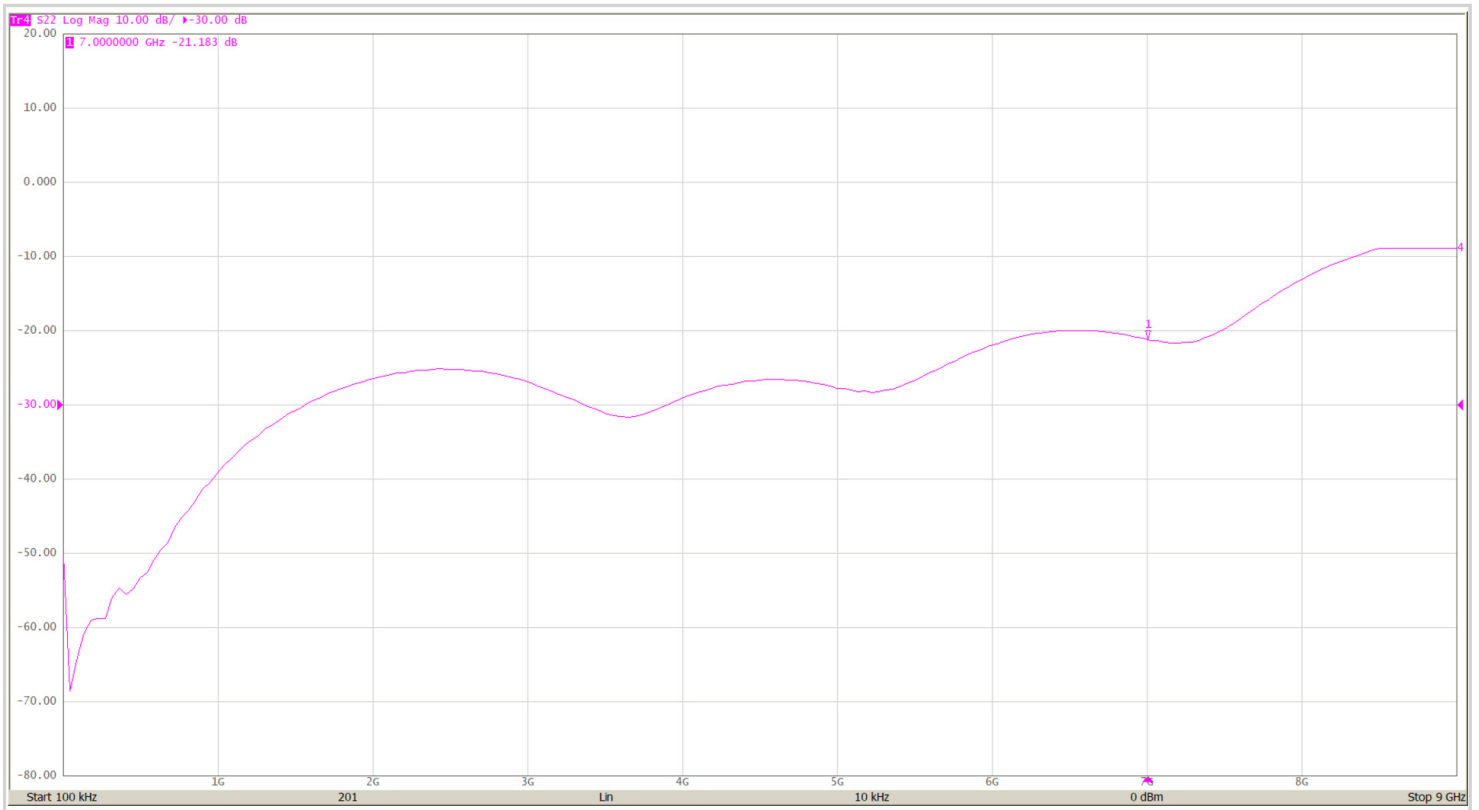


# CITEL

**- UL497E LISTED - I<sub>max</sub> 20kA (10kA UL) - I<sub>n</sub> 10kA (10kA UL) - Bi-directional - Replaceable Gas Tube**

## P8AX09-6G-N/FF

Contacts	Bronze/Surface Au-Ag
TECHNOLOGY	GDT
CONNECTION METHOD	SERIES CONNECTOR, BI-DIRECTIONAL
CONNECTOR TYPE	N
GENDER	FEMALE TO FEMALE
MOUNTING	BULKHEAD, OPTIONAL BRACKET
MATERIAL	Cu, Zn, Sn plated Brass, PTFE
NEMA RATING (IP RATING)	NEMA 6P (IP67)
DIMENSIONS	See diagram
SPARE PART	BA HF 90/20
<b>Standards</b>	
Environmental standards	EU RoHS
RohS compliance	Yes
UL STANDARD	UL497E
UL CATEGORY	QVLA
UL FILE NUMBER	E349646
<b>Part number</b>	
<b>68011</b>	





- UL497E LISTED - I<sub>max</sub> 20kA (10kA UL) - I<sub>n</sub> 10kA (10kA UL) - Bi-directional - Replaceable Gas Tube

# CITEL

## P8AX09-6G-N/FF

