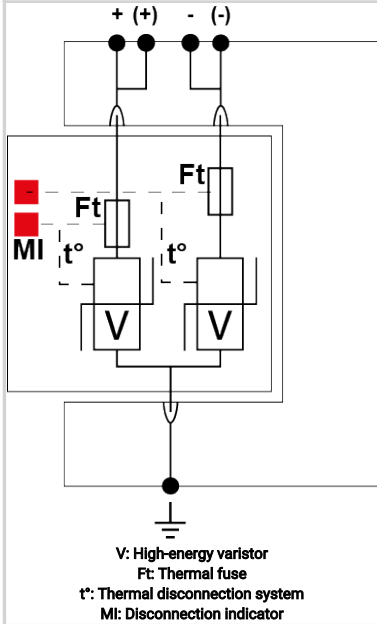
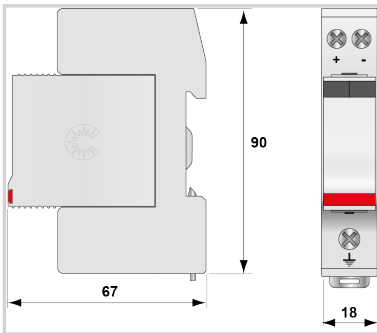




DS220-48DC

CITEL



Electrical Characteristics		
Network		DC or PV network 48Vdc
Max. AC operating voltage	Uc	50 Vac
Max. DC operating voltage	Uc	65 Vdc
Max. load current @25°C	IL	50 A
Max. discharge current <i>max. withstand @ 8/20 μs by pole</i>	Imax	20 kA
Total Maximum discharge current <i>max. total withstand @ 8/20 μs</i>	Imax Total	20 kA
Connection mode(s)		+/-/PE
Protection mode(s)		Common mode
Protection level +/-/PE <i>@ In (8/20μs)</i>	Up	400 V
Mechanical Characteristics		
Technology		MOV
Connection to Network		By screw terminals: 1.5-10mm ² (actives wires) and 2.5-25mm ² (ground)
Format		Plug-in modular box
Mounting		Symmetrical rail 35 mm (EN 60715)
Operating temperature	Tu	-40/+85°C
Protection rating		IP20
Failsafe mode		Disconnection from DC network
Part number		
390402		

