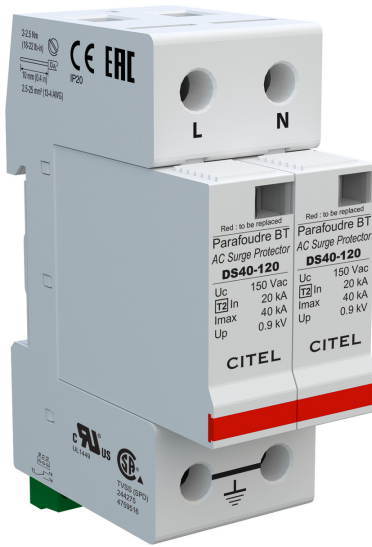




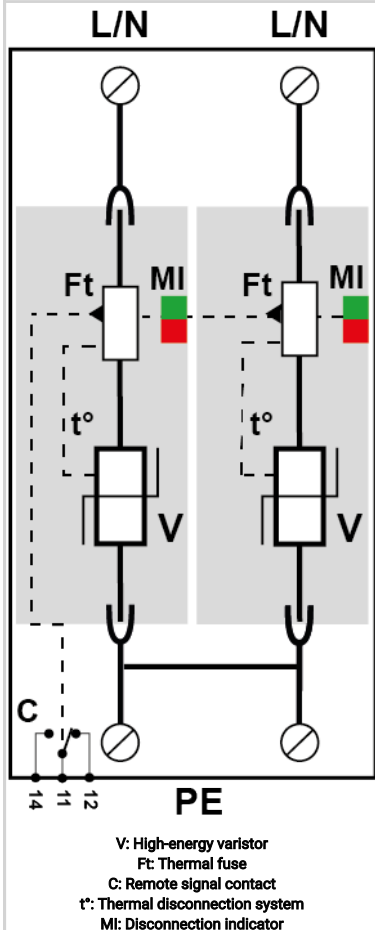
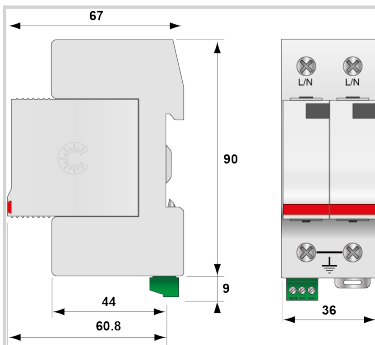
CITEL

UL TYPE 4CA SPD - I_{max} 40kA - I_n 20kA - Modular

DS42S-120



- MOV Technology
- UL1449 Type 4CA
- 40kA Surge Current Rating
- Visual fault indicator and remote contacts
- 10-Year warranty



Electrical Characteristics

Network		120/208 V
Nominal line voltage	Un	120 Vac
Max. AC operating voltage	Uc	150 Vac
Max. discharge current <i>max. withstand @ 8/20 μs by pole</i>	I _{max}	40 kA
Connection mode(s)		L/PE and N/PE
Protection mode(s)		Common mode
Residual voltage at 5 kA <i>@ 5 kA (8/20 μs)</i>	Up-5kA	0.6 kV
Protection level N/PE <i>@ I_n (8/20 μs)</i>	Up N/PE	0.9 kV
POWER SPD TYPE		UL1449 5th Ed. TYPE 4CA
VOLTS	(V)	240/120
AC/DC/DC PV/RF		AC
PHASE	(PH)	1S
AMPS	(A)	N/A
AMBIENT MIN	(C)	-35
AMBIENT MAX	(C)	+60
MODES		L-L, L-G
MLV	(V)	1960/-/1240/-
MCOV	(V)	300/-/150/-
IN <i>15 impulses 8/20 μs</i>	(kA)	20
SCCR	(kA)	n/a
IMAX <i>8/20 μs</i>	(kA)	40
I _{limp} <i>10/350 μs</i>	(kA)	4

Option

Remote status dry contact electrical rating	Max Voltage	V	250.0000
Remote status dry contact electrical rating	Max Current	A	0.5000
RFI Filter			no

Installation

Wiring type			Screw
Solid wire cross section	Min	mm ²	2.5000
Solid Wire cross section	Max	mm ²	35.0000
Stranded Wire cross section	Min	mm ²	2.5000
Stranded wire cross section	Max	mm ²	25.0000
Wire gauge	Min	AWG	13.0000
Wire gauge	Max	AWG	2.0000
Torque		Nm	2.0 - 2.5
Torque		in-lbs	17.8 - 22.1
Strip Length		mm	13.0000
Strip Length		in	0.5000
Operating Temperature	Min	°C	-40.0000
Operating Temperature	Max	°C	85.0000
Operating Temperature	Min	°F	-40.0000
Operating Temperature	Max	°F	85.0000
Operating Relative Humidity	Max	%RH	95
Operating Altitude	Min	Ft	2000.0000
Operating Altitude	Max	Ft	6500.0000
Housing/Enclosure material			Thermoplastic



CITEL

UL TYPE 4CA SPD - I_{max} 40kA - I_n 20kA - Modular

DS42S-120

Flammability rating <i>UL 94</i>		V0
Mounting		Din Rail
IP Environmental rating <i>IP</i>		IP20
NEMA Environmental rating <i>NEMA</i>		NEMA 1
Installation Location		Indoor
Spare part		Module
Product Dimension <i>L</i>	mm	99.0000
Product Dimension <i>H</i>	mm	67.0000
Product Dimension <i>W</i>	mm	36.0000
Product Dimension <i>L</i>	In	3.8900
Product Dimension <i>H</i>	In	2.6400
Product Dimension <i>W</i>	In	1.4200
Miscellaneous		
Individual Pack		Yes
Storage Temperature <i>Min</i>	°C	-40.0000
Storage Temperature <i>Max</i>	°C	85.0000
Storage Temperature <i>Min</i>	°F	-40.0000
Storage Temperature <i>Max</i>	°F	85.0000
Storage Relative Humidity <i>Max</i>	%RH	95.0000
Mechanical Characteristics		
Technology		MOV
Connection to Network		By screw terminals: 2.5-25mm ² / by bus
Format		Plug-in modular box
Mounting		Symmetrical rail 35 mm (EN 60715)
Operating temperature	Tu	-40/+85°C
Protection rating		IP20
Failsafe mode		Disconnection from AC network
TECHNOLOGY		MOV
NETWORK CONFIGURATION		1PH, 2W+G, Single Phase (or 2PH, 2W+G, Two Phase)
CONNECTION METHOD		SPD-Screw Terminal (8-12AWG), Terminal blocks 6AWG
MOUNTING		Din Rail
MATERIAL		Thermoplastic UL94-V0
NEMA RATING (IP RATING)		NEMA 2 (IP20)
FAIL-SAFE BEHAVIOR		Disconnection via fuse-link
REAL-TIME DIAGNOSTICS		Visual indicator and remote contacts
DIMENSIONS		See diagram
WEIGHT		0.60 lbs
SPARE PART		DSM40-120
Standards		
Certification		cRUus
Environmental standards		EU RoHS
UL STANDARD		UL1449 5th Edition
UL CATEGORY		VZCA2, VZCA8
UL FILE NUMBER		E326289
STANDARDS		NOM-003-SCFI-2014, NOM-001-SCFI-1993
Part number		
461621		

