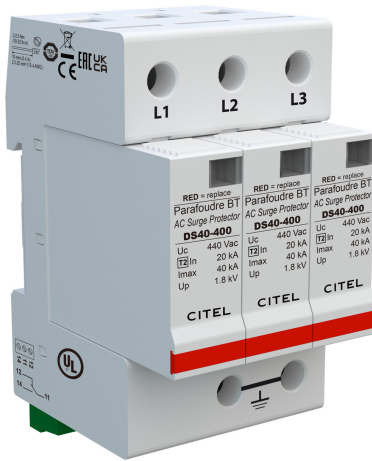




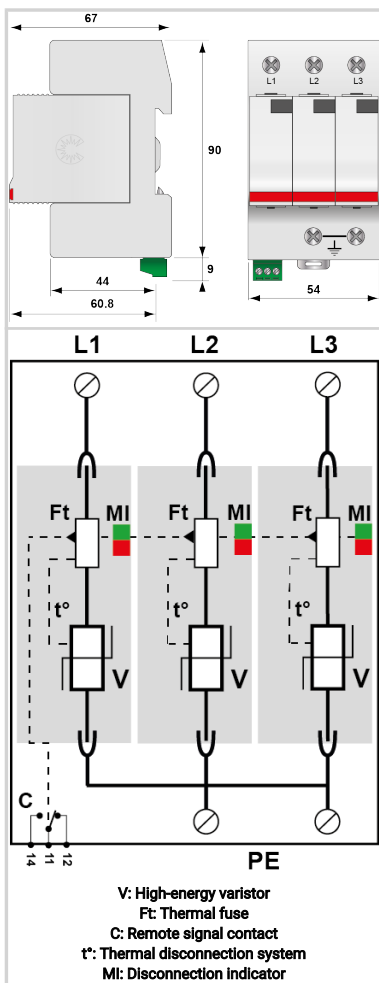
CITEL

UL TYPE 1 SPD - I_{max} 40kA - I_n 20kA - Modular

DS43S-400



- ▶ UL1449 TYPE 1 LISTED SPD
- ▶ MOV Technology
- ▶ 40kA Surge Current Rating
- ▶ Visual fault indicator and remote contacts
- ▶ 10-Year warranty



Electrical Characteristics	
Network	230/400 V
Nominal line voltage	Un 400 Vac
Max. AC operating voltage	Uc 440 Vac
Max. discharge current max. withstand @ 8/20 μs by pole	I _{max} 40 kA
Connection mode(s)	L/PE
Protection mode(s)	Common mode
Residual voltage at 5 kA @ 5 kA (8/20 μs)	Up-5kA 1.3 kV
POWER SPD TYPE	UL1449 TYPE 1 LISTED
VOLTS	(V) 480/277
AC/DC/DC PV/RF	AC
PHASE	(PH) 3Y
AMPS	(A) N/A
AMBIENT MIN	(C) -40
AMBIENT MAX	(C) +85
MODES	L-L, L-G
VPR	(V) 2500/-/1500/-
MCOV	(V) 680/-/420/-
IN 15 impulses 8/20 μs	(kA) 20
SCCR	(kA) 100
IMAX 8/20 μs	(kA) 40
Iimp 10/350 μs	(kA) 4
Mechanical Characteristics	
Connection to Network	By screw terminals: 2.5-25mm ² / by bus
Format	Plug-in modular box
Mounting	Symmetrical rail 35 mm (EN 60715)
Operating temperature	Tu -40/+85°C
Protection rating	IP20
Failsafe mode	Disconnection from AC network
TECHNOLOGY	MOV
NETWORK CONFIGURATION	3 pole, 3W+G, 3PH Wye
CONNECTION METHOD	SPD-Screw Terminal (8-12AWG), Terminal blocks 6AWG
MOUNTING	Din Rail
MATERIAL	Thermoplastic UL94-V0
NEMA RATING (IP RATING)	NEMA 2 (IP20)
FAIL-SAFE BEHAVIOR	Disconnection via fuse-link
REAL-TIME DIAGNOSTICS	Visual indicator and remote contacts
DIMENSIONS	See diagram
WEIGHT	0.90 lbs
SPARE PART	DMS40-400
Standards	
Certification	UL / TUV
Environmental standards	EU RoHS
UL STANDARD	UL1449 5th Edition
UL CATEGORY	VZCA, VZCA7
UL FILE NUMBER	E326289
STANDARDS	NOM-003-SCFI-2014, NOM-001-SCFI-1993
Part number	
461423	

