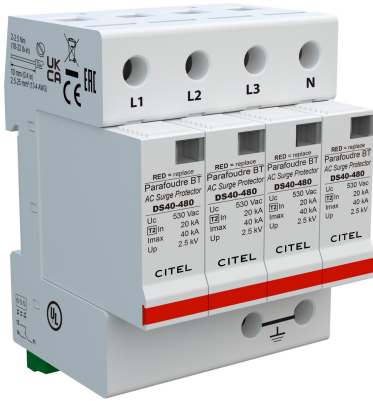




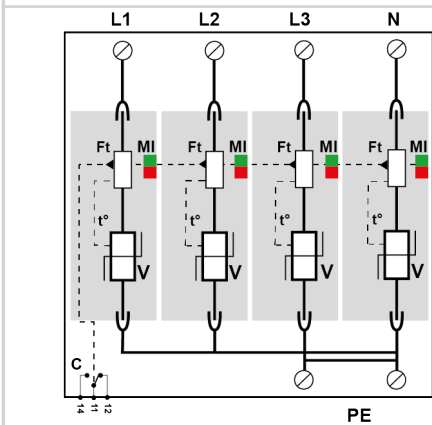
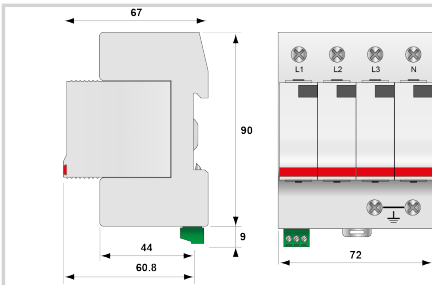
# CITEL

## UL TYPE 1 SPD - I<sub>max</sub> 40kA - I<sub>n</sub> 20kA - Modular

### DS44S-480



- ▶ UL1449 TYPE 1 LISTED SPD
- ▶ MOV Technology
- ▶ 40kA Surge Current Rating
- ▶ Visual fault indicator and remote contacts
- ▶ 10-Year warranty



**V:** High-energy varistor  
**Ft:** Thermal fuse  
**C:** Remote signal contact  
**t°:** Thermal disconnection system  
**MI:** Disconnection Indicator

Electrical Characteristics	
Network	277/480 V 3-phase+N
Nominal line voltage	Un 480 Vac
Max. discharge current <i>max. withstand @ 8/20 μs by pole</i>	I <sub>max</sub> 40 kA
Protection mode(s)	Common mode
Protection level N/PE <i>@ I<sub>n</sub> (8/20μs)</i>	Up N/PE 2.5 kV
POWER SPD TYPE	UL1449 TYPE 1 LISTED
VOLTS	(V) 480/277
AC/DC/DC PV/RF	AC
PHASE	(PH) 3Y
AMPS	(A) N/A
AMBIENT MIN	(C) -35
AMBIENT MAX	(C) +60
MODES	L-L, L-N, L-G, N-G
VPR	(V) 4000/4000/1800/1800
MCOV	(V) 550/550/550/550
IN <i>15 impulses 8/20μs</i>	(kA) 20
SCCR	(kA) 100
IMAX <i>8/20μs</i>	(kA) 40
I <sub>imp</sub> <i>10/350μs</i>	(kA) 4
Mechanical Characteristics	
Connection to Network	By screw terminals: 2.5-25mm <sup>2</sup> / by bus
Format	Plug-in modular box
Operating temperature	Tu -40/+85°C
Protection rating	IP20
Failsafe mode	Disconnection from AC network
TECHNOLOGY	MOV
NETWORK CONFIGURATION	3PH, 4W+G, Wye
CONNECTION METHOD	SPD-Screw Terminal (8-12AWG), Terminal blocks 6AWG
MOUNTING	Din Rail
MATERIAL	Thermoplastic UL94-V0
NEMA RATING (IP RATING)	NEMA 2 (IP20)
FAIL-SAFE BEHAVIOR	Disconnection via fuse-link
REAL-TIME DIAGNOSTICS	Visual indicator and remote contacts
DIMENSIONS	See diagram
WEIGHT	1.20 lbs
SPARE PART	DSM40-480
Standards	
Certification	CSA / UL Listed
UL STANDARD	UL1449 5th Edition
UL CATEGORY	VZCA, VZCA7
UL FILE NUMBER	E326289
STANDARDS	NOM-003-SCFI-2014, NOM-001-SCFI-1993
ENVIRONMENTAL STANDARDS	ROHS
Part number	
<b>461016</b>	

