

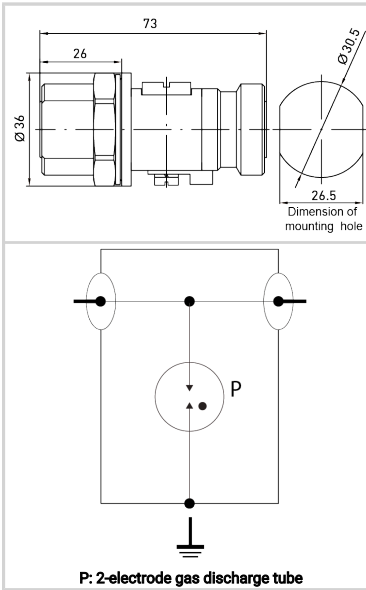


P8AX09-716/FF

CITEL



►6GHz Bi-Directional Coaxial Surge Protector - High Energy GDT Technology - Low Insertion Loss - Field Replaceable GDT - Waterproof Design - DC Pass - UL497E Listed



Electrical Characteristics		
Max. DC operating voltage	Uc	72 Vdc
Frequency range	f	DC-3.5 GHz
Insertion loss		< 0.2 dB
Return loss		> 20 dB
Impedance		50 ohms
VSWR		<1.2:1
Max. load current @25°C	IL	10 A
Max. discharge current <i>max. withstand @ 8/20 μs by pole</i>	Imax	20 kA
Nominal discharge current <i>C2 Category</i>	In	5 kA
Protection mode(s)		Common mode
Protection level <i>@1kV/μs (C3)</i>	Up	< 650 V
Impulse current <i>2 x 10/350μs Test - D1 Category</i>	Iimp	1 kA
Max Power		25 W
Typical let through energy <i>(50 ohms) input 4kV 1.2/50μs - 2kA 8/20μs</i>		300 μJ
DC Pass		Yes
Insulation resistance	IR	≥10 GOhms
RF Power <i>Maximum</i>	W	25.0000
Return Loss <i>Minimum</i>	db	20
VSWR <i>Maximum</i>	:1	<1.2:1
Max Total Discharge Current <i>Imax (8/20μs x 1)</i>	kA	10.0000
Max Discharge Current <i>Imax (8/20μs x 1)</i>	kA	10.0000
RF SPD TYPE		UL497E LISTED
VOLTS	(V)	48
AC/DC/DC PV/RF		RF
WIRES		1W+GROUND
LINE CURRENT MAX	(A)	10
AMBIENT MIN	(C)	-40
AMBIENT MAX	(C)	+85
IMAX <i>8/20μs</i>	(kA)	20
FREQUENCY RANGE	(GHz)	0-4.0
INSERTION LOSS (@ FREQ)	(db)	<0.2
RETURN LOSS	(db)	22
VSWR		<1.25:1



P8AX09-716/FF

CITEL

Installation		
Operating Temperature _{Min}	°C	-45.0000
Operating Temperature _{Max}	°C	85.0000
Operating Temperature _{Min}	°F	-50.0000
Operating Temperature _{Max}	°F	85.0000
Operating Relative Humidity _{Max}	%RH	Can be submerged
Operating Altitude _{Min}	Ft	2000.0000
Operating Altitude _{Max}	Ft	6500.0000
Housing/Enclosure material		Cu, Zn, Sn plated Brass
Mounting		Bracket or Bulkhead through-hole
IP Environmental rating/IP		IP65
NEMA Environmental rating/NEMA		NEMA 4
Installation Location		Indoor / outdoor
Spare part		BB HF 90/20
Accessories		BK series mounting bracket
Product Dimension _L	mm	73.0000
Product Dimension _H	mm	36.0000
Product Dimension _W	mm	26.5000
Product Dimension _L	In	2.8700
Product Dimension _H	In	1.4200
Product Dimension _W	In	1.0400
Miscellaneous		
Individual Pack		No
Storage Temperature _{Min}	°C	-40.0000
Storage Temperature _{Max}	°C	85.0000
Storage Temperature _{Min}	°F	-40.0000
Storage Temperature _{Max}	°F	85.0000
Mechanical Characteristics		
Technology		Gas discharge tube
Connection to Network		Connector 7/16 Female/Female
Mounting		Bulkhead or Bracket
Operating temperature	Tu	-40/+85°C
Protection rating		IP65
Failsafe mode		Short-circuit
Contacts		Bronze/Surface Au-Ag
Insulation material		PTFE
TECHNOLOGY		GDT
CONNECTION METHOD		SERIES CONNECTOR, BI-DIRECTIONAL
MOUNTING		BULKHEAD, OPTIONAL BRACKET
MATERIAL		Housing-Cu, Zn, Sn plated Brass
NEMA RATING (IP RATING)		NEMA 6P (IP67)
DIMENSIONS		See diagram
WEIGHT		0.30 lbs
Standards		
Environmental standards		EU RoHS
RohS compliance		Yes
UL STANDARD		UL497E
UL CATEGORY		QVLA
UL FILE NUMBER		E349646
STANDARDS		NOM-003-SCFI-2014, NOM-001-SCFI-1993
Part number		
60411		

