

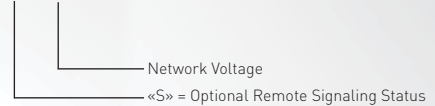
PV Surge Protectors DS50PV/G Series



DS50PV-800/G51

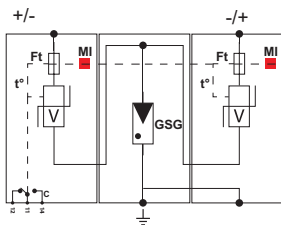
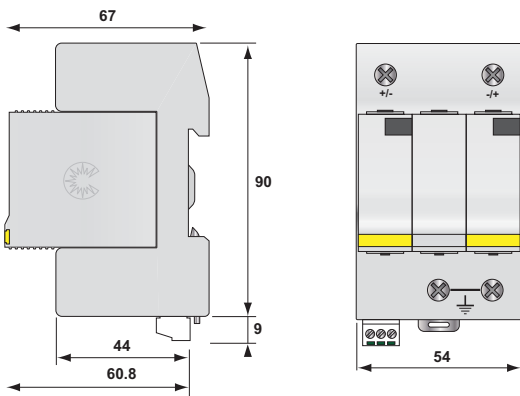
- **MOV and GDT Protection Technology**
- **Modular Design for Ease of Maintenance**
- **Integrated Status Indicator Window**
- **Zero Leakage Current**
- **Imax : 40 kA/pole at 8/20µs**
- **In : 20 kA/pole at 8/20µs**
- **UL 1449 4th Edition**

DS50PVS-xxx/G



Dimensions and Electrical Diagram

(in mm)



GSG: Gas-Filled Spark Gap
V: High energy MOV
MI: Disconnection indicator
Ft: Thermal fuse
t°: Thermal disconnection mechanism
C: Contact for remote signal (option DS50PVS-xxx)

Characteristics

CITEL Part Number		DS50PV-500/G	DS50PV-800/G	DS50PV-1000/G
Maximum PV Voltage	Uocstc	500 Vdc	800 Vdc	1000 Vdc
Protection Mode *		CM/DM	CM/DM	CM/DM
Maximum Operating Voltage	Ucpv	600 Vdc	960 Vdc	1060 Vdc
Current Withstand Short-Circuit	Iscwpv	>1000 A	>1000 A	>1000 A
Operating Current to the Voltage Ucpv	Icpv	< 0.1 mA	< 0.1 mA	< 0.1 mA
Leakage Current to the Voltage Ucpv	Ipe	none	none	none
Nominal Discharge Current 15 x 8/20 µs Impulses	In	20 kA	20 kA	20 kA
Maximum Discharge Current 8/20 µs Withstand	Imax	40 kA	40 kA	40 kA
Protection Level (at In)	Up	<1.8 kV	<2.4 kV	<3 kV
Disconnecter				
Thermal Disconnecter		internal		
Mechanical Characteristics				
Dimensions		see diagram		
Connection		by screw terminal : 4-25 mm ²		
End of Life Mode		disconnection of the SPD from PV line		
Disconnection Indicator		by mechanical indicator		
Remote Signaling of Disconnection		Option DS50PVS-xxx/G		
Mounting		symmetrical rail 35 mm		
Operating Temperature		-40/+85 °C		
Protection Class		IP20		
Housing Material		Thermoplastic UL94-V0		
Standards Compliance				
EN50539- 11: Europe		PV Surge Protection - Class I and II Testing		
UL1449 4th Edition: USA		Type 4CA		
Part Number				
DS50PVS-500/G		480141		
DS50PVS-800/G		480241		
DS50PVS-1000/G		480341		

(*) CM = Common mode (+/PE or -/PE) - DM = Differential mode (+/-)

