

Type 2 PV Surge Protectors

DS50VGPV Series



DS50VGPVS-1000

- **UL Type 1 CA DC SPD for PV Systems**
- **VG Technology for Maximum Performance**
- **Zero Leakage Current**
- **Zero Working Current**
- **Imax : 40kA/pole at 8/20µs**
- **In : 20kA/pole at 8/20µs**
- **UL 1449 3rd Edition Recognized**

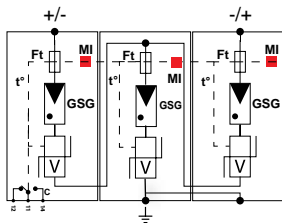
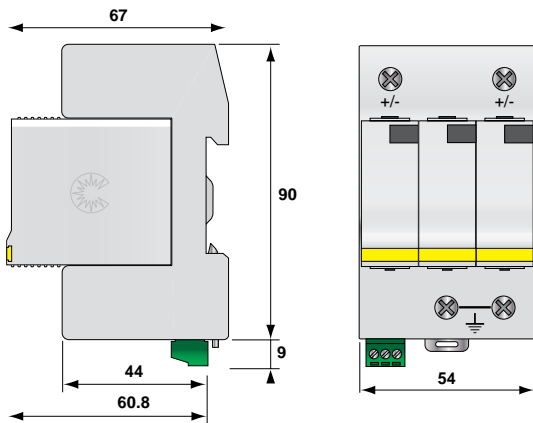
DS50VGPVS-xxx

Network Voltage

<S> Optional Remote Signaling Status

Dimensions and Electrical Diagram

(in mm)



GSG: Gas-Filled Spark Gap
 V : High Energy MOV
 MI: Disconnection Indicator
 Ft: Thermal Fuse
 t°: Thermal Disconnection Mechanism
 C: Contact for Remote Signal

Characteristics

| CITEL Part Number | | DS50VGPVS-500 | DS50VGPVS-1000 | DS50VGPVS-1500G/51 |
|---|--------|---|----------------|--------------------|
| Network voltage | Uocstc | 500 Vdc | 1,000 Vdc | 1,250 Vdc |
| Protection mode * | | CM/DM | CM/DM | CM/DM |
| Maximum operating voltage | Ucpv | 600 Vdc | 1,200 Vdc | 1,500 Vdc |
| Short-circuit current rating | Scrc | 100,000 A | 100,000 A | > 1,000 A (Iscwpv) |
| Operating current to the voltage Ucpv | Icpv | none | none | none |
| Leakage current to the voltage Ucpv | Ipe | none | none | none |
| Follow current | If | none | none | none |
| Nominal discharge current 15 x 8/20 µs Impulses | In | 20 kA | 20 kA | 20 kA |
| Maximum discharge current 8/20µs withstand | Imax | 40 kA | 40 kA | 40 kA |
| Protection level (at In) | Up | <2,500 V | <3,600 V | <3,400 V |
| Disconnecter | | | | |
| Thermal disconnecter | | internal | | |
| Mechanical Characteristics | | | | |
| Dimensions | | see diagram | | |
| Connection | | Screw terminal for 4-25 mm ² wire | | |
| Disconnection indicator | | 1 mechanical indicator | | |
| Remote signaling | | Option DS50VGPVS - Output on changeover contact | | |
| Mounting | | symmetrical rail 35 mm | | |
| Operating temperature | | -40/+85 °C | | |
| Protection class | | IP20 | | |
| Housing material | | Thermoplastic UL94-V0 | | |
| Standards Compliance | | | | |
| UTE C61-740-51: France | | PV Surge Protection - Class I and II testing | | |
| EN 50539-11: Europe | | PV Surge Protection - Class I and II testing | | |
| UL1449 3rd Edition:USA | | Type 1 CA | Type 1 CA | - |
| Part Number | | | | |
| DS50VGPVS-500 | | 480161 | | |
| DS50VGPVS-1000 | | 480361 | | |
| DS50VGPVS-1500G/51 | | 481511 | | |

(*) CM = Common mode (+/PE or -/PE) - DM = Differential mode (+/-)

