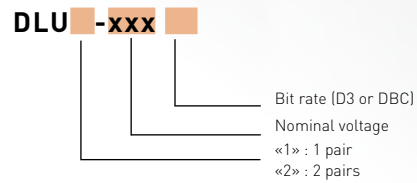


DIN Rail Surge Protector for Telecom

DLU, DLU2 Series

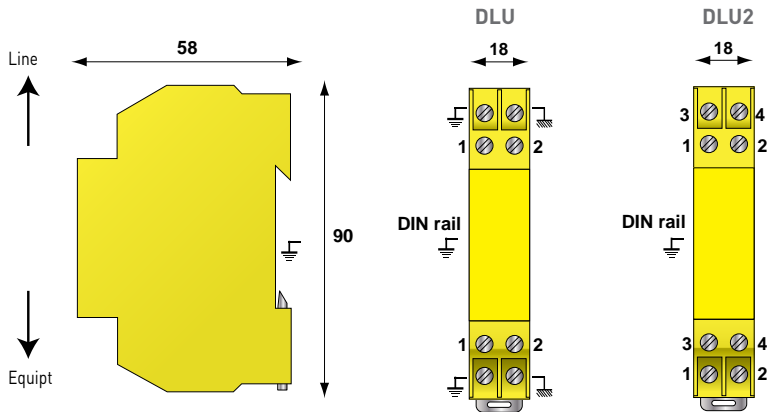


- DIN Rail Mounted Monobloc Surge Protection
- Multiple Configurations for All Applications
- Shielded Wire Protection
- With or Without Line Cut Capabilities
- 2- Pair Versions Available (DLU2)
- Multiple Grounding Options
- UL 497B Listed

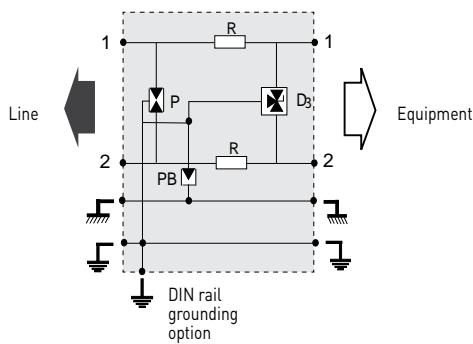


Dimensions and Electrical Diagrams

(in mm)

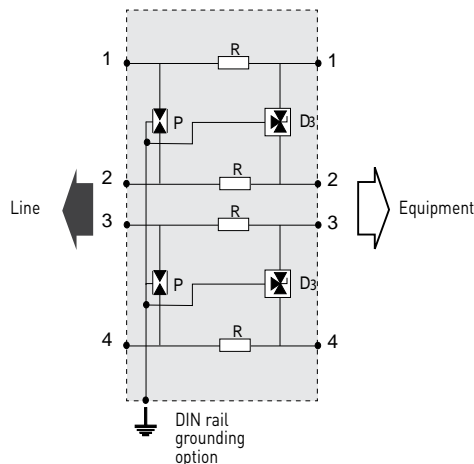


DLU
1-Pair Version



P : 3-electrode gas tube
Pb : 2-electrode gas tube
R : Resistor
D3 : 3-Pole clamping diode

DLU2
2-Pair Version



DIN Rail Surge Protector for Telecom

DLU, DLU2 Series

Characteristics

Configuration	CITEL Part Number						
	DLU-170 DLU2-170	DLU-48D3 DLU2-48D3	DLU-48DBC DLU2-48DBC	DLU-24D3 DLU2-24D3	DLU-12D3 DLU2-12D3	DLU-06D3 DLU2-06D3	DLU-06DBC DLU2-06DBC
Application	Telephone ADSL SDSL - SHDSL	48V line	Fipway WorldFIP Fieldbus-H2	4-20 mA 24V line	Profibus-FMS Interbus Fieldbus-H1 Batibus RS232, RS485	RS422	6 V line high bit-rate T2 - T1 10BaseT
Nominal Line Voltage (Un)	150V	48V	48V	24V	12V	6V	6V
Maximum Line Voltage (Uc)	170V	53V	53V	28V	15V	8V	8V
Maximum Line Current (IL)	300mA	300mA	300mA	300mA	300mA	300mA	300mA
Maximum Frequency	> 10MHz	> 3MHz	> 20MHz	> 3MHz	> 3MHz	> 3MHz	> 20MHz
Protection Level (Up) 8/20µs impulse - 5 kA	220V	70V	75V	40V	30V	20V	25V
Nominal Discharge Current (In) 8/20µs impulse - 10 times	10kA	10kA	10kA	10kA	10kA	10kA	10kA
Maximum Discharge Current (Imax) 8/20µs impulse - 1 time	20kA	20kA	20kA	20kA	20kA	20kA	20kA
Impulse Current (Iimp) 10/350µs impulse - 2 times	5kA	5kA	5kA	5kA	5kA	5kA	5kA
End of Life	Short-circuit	Short-circuit	Short-circuit	Short-circuit	Short-circuit	Short-circuit	Short-circuit
Mechanical Characteristics							
Configuration	DLU = 1 pair + shield DLU2 = 2 pair						
Mounting	Symmetrical DIN rail						
Dimensions	See drawing						
Wiring	Connection by screw - max. cross section 1.5 mm ²						
Housing Material	Thermoplastic UL94-V0						
Connection	Earth connection via DIN rail (DLU, DLU2) and screw terminal (DLU)						
Standard Compliance							
NF EN 61643-21 (France) UL497B (USA)	Surge protectors for communication circuits - Test categories C2 and D1 Surge protectors for communication circuits						
Part Number							
DLU	640505	640504	640514	640503	640502	640501	640511
DLU2	640405	640404	640434	640401	640403	640402	640431

