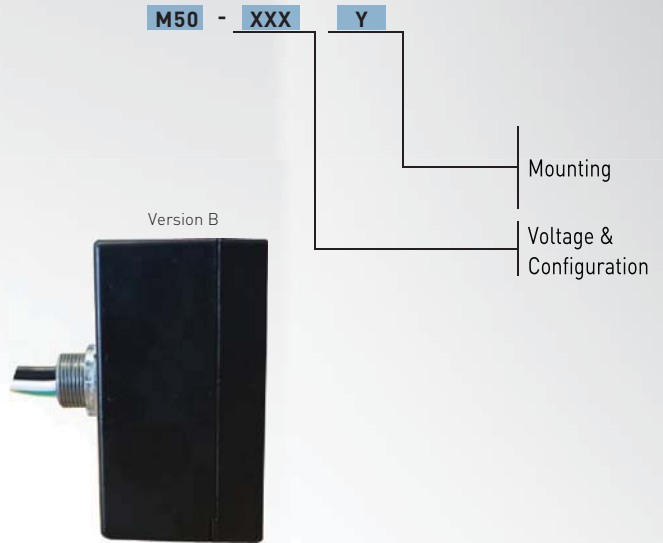


Data Sheet

Type 1 Surge Protective Device M50 Series



Application

- Industrial
- Commercial
- Residential

Features

- I_{max} 50kA 8/20μs
- All single and three phase configurations from 120 to 600Vac
- Hybrid Technology for enhanced TOV protection with no leakage current
- Real-time diagnostics include an LED per phase and audible alarm
- Indoor/Outdoor IP66/NEMA6 rated enclosure (NEMA6 exceeds NEMA4 or 4X)
- Panel mount via M22 or 1/2" NPT
- Mounting is available on side, back or din rail
- Hardwired connection #12 AWG 36" leads
- 10-year free replacement warranty

UL

- Listed for standalone or integrated applications
- UL Type 1 SPD - Installed on line or load side of the main disconnect
- In 20kA (All models)
- SCCR 150kA to 200kA
- VPR L-N is 700V for 120V, 120/240V, 120/208V (See page 2 for full table)
- VPR L-N is 1200V for 220V, 220/380V, 230/400V, 240/415V, 277/480V (See page 2 for full table)
- Meets requirements of UL96A Lightning Protection Master Label
- UL Type 2 SPD with UL1283 EMI/RFI Filter option available (M50F Series)
- File # VZCA.E326289 (www.ul.com)



CITEL

Data Sheet

Type 1 Surge Protective Device M50 Series

Technical Data

Description	M50-120Y-X	M50-120T-X	M50-120S-X	M50-230S-X	M50-240T-X	M50-240D-X	M50-277Y-X	M50-347Y-X	M50-480D-X	M50-600D-X		
Product Part Number - A version	751101	751102	751103	751303	751402	751404	751501	751601	751704	751804		
Product Part Number - B version	751111	751112	751113	751313	751412	751414	751511	751611	751714	751814		
System voltage	120-208	120-240	120	230	240-480	240	277-480	347-600	480	600		
System	4W+G (Wye)	3W+G (Split Ph)	2W+G (single)	2W+G (single)	3W+G (Split Ph)	3W+G (Delta)	4W+G (Wye)	4W+G (Wye)	3W+G (Delta)	3W+G (Delta)		
Maximum Operating Voltage	L- G L- N N- G L- L	140 140 120 240	140 140 120 280	140 140 120 /	270 270 230 /	280 280 240 480	280 /	320 400 280 690	400 400 350 690	550 /	690 /	
Operating Current	Ic	mA										
Follow current	If	A										
Short Circuit Current Rating	SCCR	kA										
Maximum Leakage Current	Ipe	mA										
Maximum Recommended fuse	Rating, Type	200A, Class J										
Frequency	F	Hz										
Nominal discharge current	In (8-20)	kA										
Maximum Discharge Current	L- G N- G	50 100										
Impulse Discharge Current per phase	Iimp (10-350)	kA										
Total Maximal Discharge Current	Itotal (8-20)	kA										
Total Maximal Discharge Current	Itotal (10-350)	kA										
Let through Voltage	Ures (V) at 20kA	L- G L- N N- G L- L	15 1500 1500 1500	12 1500 1500 1500	8 1500 1500 1500	8 1900 1500 1500	12 1900 1500 1500	12 1500 N/A 1500	15 1900 2500 1900	15 2500 1800 1800	12 1900 N/A 3100	12 2300 N/A 3800
Voltage Protection Level	L- G L- N N- G L- L	1200 700 1200 1200	1200 700 1200 1200	1200 700 1200 1200	1500 1200 1200 1200	1500 1200 1200 2500	1200 N/A N/A 1200	1500 1200 1200 2500	2000 1400 1800 2600	1500 N/A N/A 2500	1800 N/A N/A 3000	
Shipping Dimensions	Inches	3.46 x 4.02 x 2.35										
Shipping Weight	Ibs	2.4										
Standard's Compliance or recognition	UL1449 ed4 IEC 61643-11 ed2	File: E326289	Type 1									
Visual disconnection indicator		LED										
Sound disconnection indicator		Continuous Buzzer										
Wiring type		AWG 12 wires										
Maximum altitude	ft	6500										
Operating Temperature	°F	-40 +185										
Housing - Enclosure material		Aluminum cast										
Mounting type		Side or back nipple (Version A or B) Threaded (M22) . NPT 1/2 adaptor available										
Environmental rating	IP	IP66										
	Nema	NEMA 6										
Location Installation		Indoor / Outdoor										

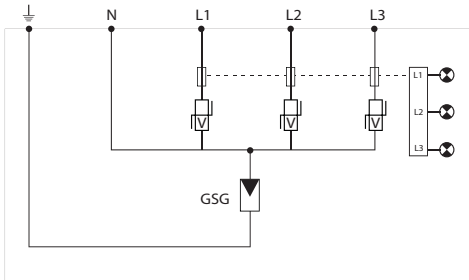


CITEL

Data Sheet

Type 1 Surge Protective Device M50 Series

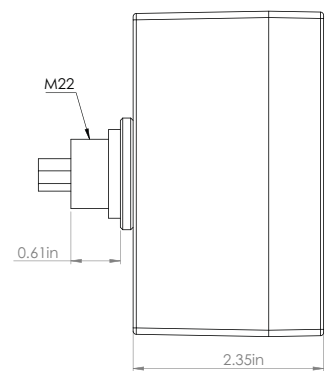
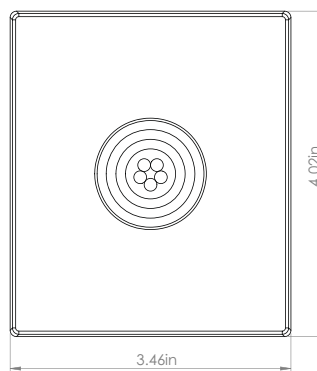
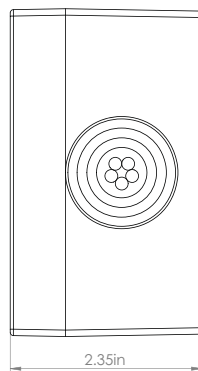
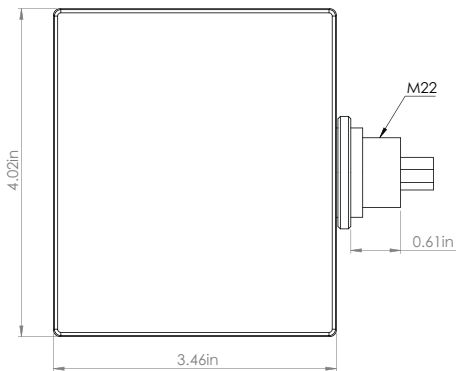
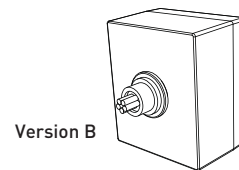
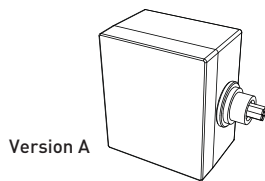
Electrical Diagram



Surface Mount Option



Dimensions



*NPT 1/2 adaptor available in both versions

