

Dataline Surge Protectors for Security Systems

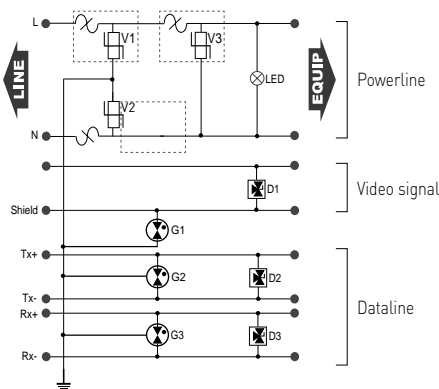
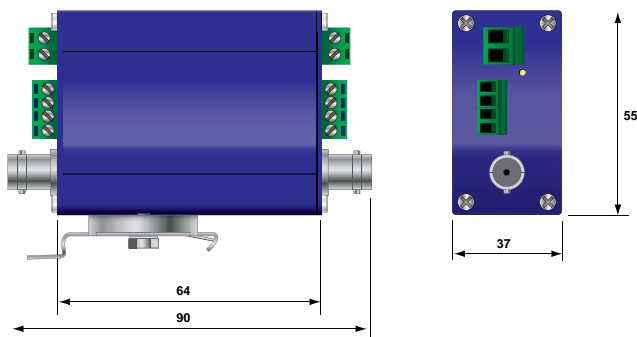
MSP-VM-2P Series



- Security Camera Surge Protector
- Power, Data and Video in a Single Unit
- Hybrid GDT and Diode Technology
- 24, 120, 230V Configurations
- Compact Aluminium Housing
- DIN Rail and Plate Mounting
- Options for 1 or 2 Pair or Cat.5

Dimensions and Electrical Diagram

(in mm)



V : Varistor
 LED : status indicator
 D : Clamping diode network
 G : Gas discharge tube

Characteristics

CITEL Part Number		MSP-VM24-2P	MSP-VM-120-2P	MSP-VM-230-2P
Power				
Nominal Voltage	U_n	24Vdc	120Vdc	230Vdc
Maximum Voltage	U_c	30Vdc	150Vdc	255Vdc
Line Current	I_L	5A	5A	5A
Nominal Discharge Current	I_n	5kA	5kA	5kA
Maximum Discharge Current	I_{max}	10kA	10kA	10kA
Protection Level	U_p	0.3kV	0.8kV	1.2kV
Connection		Screw terminal : maximum 2.5 mm ²		
Failure Mode		Power failure and green led off		
Data 2 Pair				
Maximum Voltage	U_c	8Vdc	8Vdc	8Vdc
Nominal Discharge Current	I_n	2.5kA	2.5kA	2.5kA
Maximum Discharge Current	I_{max}	5kA	5kA	5kA
Protection Level	U_p	20kV	20kV	20kV
Connection		Screw terminal : maximum 1.5 mm ²		
Failure Mode		Short-circuit status (transmission fault)		
Video				
Maximum Voltage	U_c	6Vdc	6Vdc	6Vdc
Nominal Discharge Current	I_n	5kA	5kA	5kA
Maximum Discharge Current	I_{max}	10kA	10kA	10kA
Protection Level	U_p	20V	20V	20V
Connection		BNC female coaxial connector		
Failure Mode		Short-circuit status (transmission fault)		
Mechanical Characteristics				
Dimensions		See diagram		
Housing Material		Anodized aluminum		
Mounting		DIN rail or on plate (flange)		
Ground Network Connection		DIN rail or flange		

Other versions

	Power Supply		
	24 Vac/dc	120 Vac	230 Vac
Data 1 pair + Video BNC	MSP-VM24	MSP-VM120	MSP-VM230
Ethernet Cat.5 by RJ45 connector	MSP-VM24/R	MSP-VM120/R	MSP-VM230/R