

Type 1 + 2 + 3 AC Surge Protector DS250VG Series

**limp
25 kA**

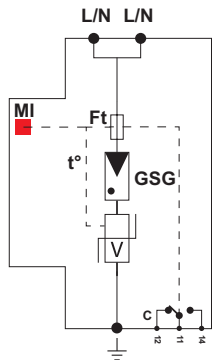
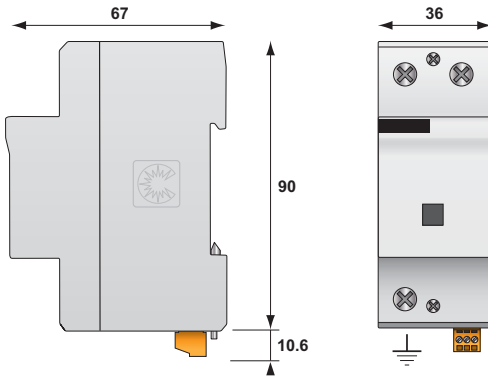


DS250VG-300

- **Type 1 + 2 + 3 AC Power Surge Protector**
- **VG Technology for Maximum Performance**
- **Optimized for TOV Protection**
- **Zero Operating Current**
- **Zero Follow Current**
- **limp : 25 kA at 10/350µs**
- **In : 30 kA at 8/20µs**
- **UL 1449 3rd Edition Recognized**
- **CSA Recognized**

Dimensions and Electrical Diagram

(in mm)



V : High energy varistor
GSG : Gas-Filled Spark Gap
t° : Thermal disconnection system
Ft : Thermal fuse
MI : Disconnection indicator
C : Remote signaling contact

Characteristics

CITEL Part Number	DS250VG-300	DS250VG-120
AC network voltage	220-277 V	120-127 V
SPD configuration	1-pole	1-pole
AC system	All	All
Maximum operating voltage	Mcov 320 Vac	150 Vac
TOV withstand	UT 450 Vac	230 Vac
Operating current	Ic none	none
Follow current	If none	none
Nominal discharge current (IEC/UL) 15 x 8/20 µs impulse	In 30 kA / 20 kA	30 kA / 20 kA
Maximum discharge current 8/20 µs withstand	I _{max} 70 kA	70 kA
Maximum discharge current 10/350 µs withstand	limp 25 kA	25 kA
Combination waveform test Class III test	Uoc 20 kV	20 kV
Protection level (at In)	Up 1.1 kV	0.7 kV
Voltage protection rating	Vpr 1200 V	1200 V
Short-circuit current rating	Sccr 100 kA	100 kA
Associated Disconnection Devices		
Thermal disconnecter	Internal	
Fuses	Fuse type gG - 125 A max. (see Note 1)	
Installation ground fault breaker	Type «S» or delayed	
Mechanical Characteristics		
Dimensions	See diagram	
Connection	By screw terminals : 6-35 mm ² / by bus	
Disconnection indicator	1 mechanical indicator	
Remote signaling of disconnection	Output on changeover contact	
Mounting	Symmetrical rail 35 mm	
Operating temperature	-40/+85 °C	
Protection class	IP20	
Housing material	Thermoplastic UL 94-V0	
Standards Compliance		
IEC 61643-11: International	Low Voltage SPD - Test Class I, II and III	
EN 61643-11: Europe	Low Voltage SPD - Test Class I, II and III	
NF EN 61643-11: France	Parafoudre Basse Tension - Essais Classe I, II, III	
UL1449 3rd Edition: USA	Type 4, for use in Type 1 locations	
Part Number		
DS250VG-300	2577	
DS250VG-120	2787	

Note 1: Rating in compliance with nominal discharge current. In order to increase service continuity, higher rating can be used (up to 250 A). For further information, please consult product instructions.

Type 1 + 2 + 3 Multi-Pole AC Surge Protector

DS252VG, DS253VG, DS254VG

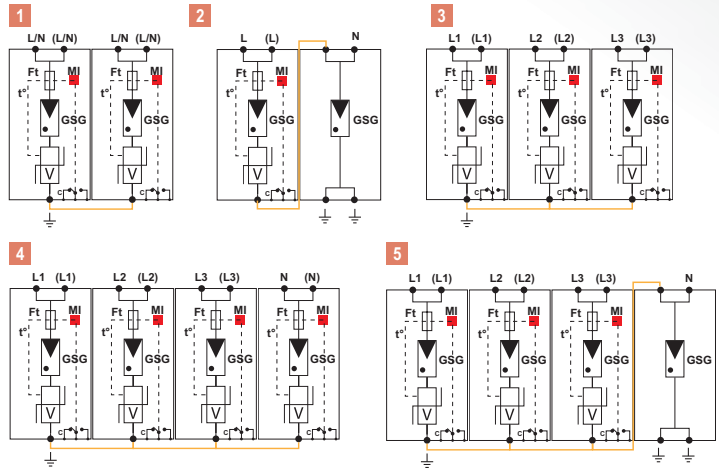
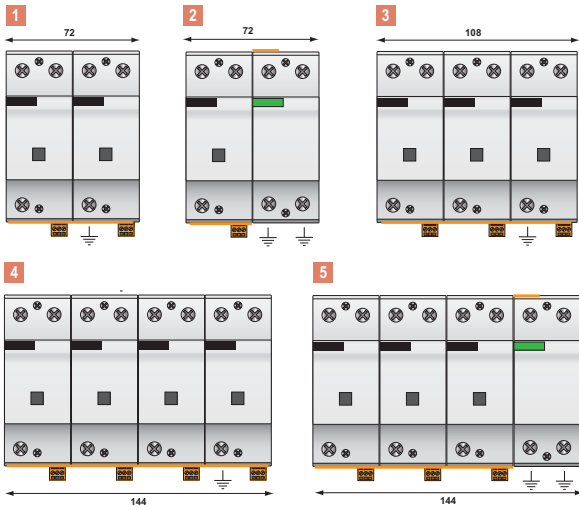


DS253VG-300

DS25x VG-xxx/G

- « » = CT1 Configuration (common mode)
- «G» = CT2 Configuration (common and differential mode)
- Operating voltage [120, 300]
- «VG» = VG Technology
- Number of protected poles {2, 3, 4}

Dimensions and Connection Diagram



References	Part Number	Network	AC system	Protection Mode		Iimp Total	Up L/PE	Up L/N	Diagram
				Common	Differential				
DS254VG-300/G	2756	277/480 V 3-phase+N	Wye	●	●	100 kA	1.5 kV	1.5 kV	5
DS254VG-120/G	2757	120/208 V 3-phase+N	Wye	●	●	100 kA	1.5 kV	1 kV	
DS254VG-300	3713	347/600 V 3-phase+N	Wye	●		100 kA	1.5 kV	-	4
DS254VG-120	3722	120/208 V 3-phase+N	Wye	●		100 kA	1 kV	-	
DS253VG-300	3896	240 V 3-phase	Delta	●		75 kA	1.5 kV	-	3
DS253VG-120	3959	120/240 V 2-phase+N	Split phase	●		75 kA	1 kV	-	
DS252VG-300/G	3403	230 V 1-phase+N	Single phase	●	●	50 kA	1.5 kV	1.5 kV	2
DS252VG-120/G	3960	120 V 1-phase+N	Single phase	●	●	50 kA	1.5 kV	1 kV	
DS252VG-300	3469	230 V 1-phase+N, 2-phase	Single/Split phase	●		50 kA	1.5 kV	-	1
DS252VG-120	3950	120 V 1-phase+N, 2-phase	Single/Split phase	●		50 kA	1 kV	-	