

# Screw terminal for “V” connection

## DSDT16

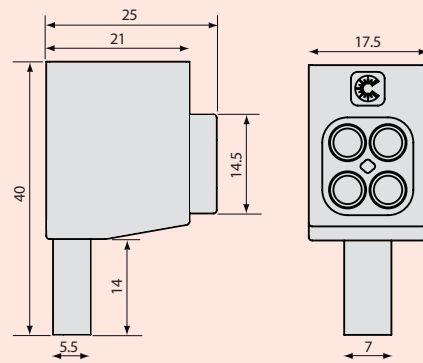


The DSDT16 is screw terminal dedicated to improve the wiring of DS surge protectors. This device allows an efficient and safe parallel connection («V» wiring) of a DS surge protector (SPD). «V» wiring is highly recommended to avoid voltage drops in the parallel connection and to improve by this way the surge protection efficiency.

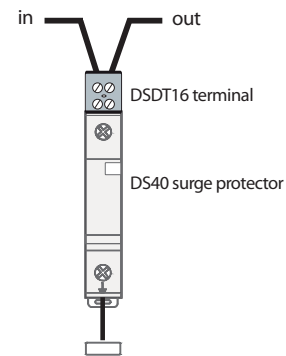
The DSDT16 fits easily on the screw terminal of the SPD and allows the proper connection of 2 wires up to 16 mm<sup>2</sup> cross section.

- “V” connection screw terminal for SPD
- Improved connection for better efficiency
- 2 x 16 mm<sup>2</sup> wire connection
- Adapted to DS surge protectors

### Dimensions (in mm)



### Electrical Diagram (1 pole)



### Installation



### Characteristics

CITEL part number	DSDT16
Torque	2-2.5 Nm (18-22 lb-in)
Min-Max cross section:	2.5-16 mm <sup>2</sup> (13-5 AWG)
Insulation-material	Polycarbonate UL94V0
Metal part	Brass
Mounting	on DS range terminal