

Screw terminal for “V” connection

DSDT16

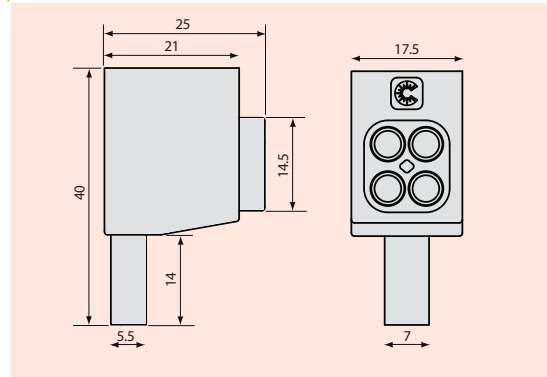


The DSDT16 is a screw terminal dedicated to improve the wiring of CITEL DS Series surge protectors. This device allows an efficient and safe parallel connection («V» wiring) of a CITEL DS Series surge protector (SPD). «V» wiring is highly recommended to avoid voltage drops in the parallel connection and improve the surge protection efficiency.

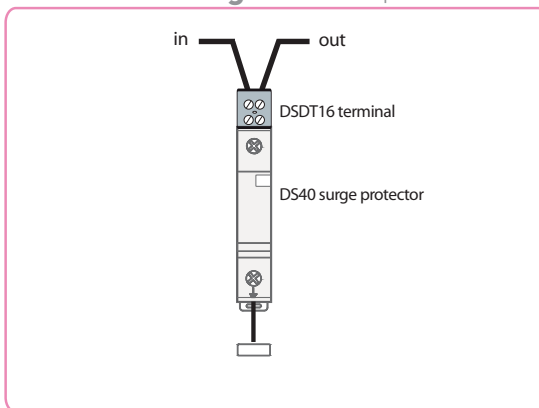
The DSDT16 fits easily on the screw terminal of the SPD and allows the proper connection of 2 wires up to 16 mm² cross section. (15AWG)

- “V”connection screw terminal for SPD
- Improved connection for better efficiency
- 2 x 16 mm² wire connection
- Adapted to DS surge protectors

Dimensions (in mm)



Electrical Diagrams (1 pole)



Installation



Characteristics

CITEL part number	DSDT16
Torque	2-2.5 Nm (18-22 lb-in)
Min-Max cross section:	2.5-16 mm ² (5-13 AWG)
Insulation-material	Polycarbonate UL94V0
Metal part	Brass
Mounting	on DS range terminal